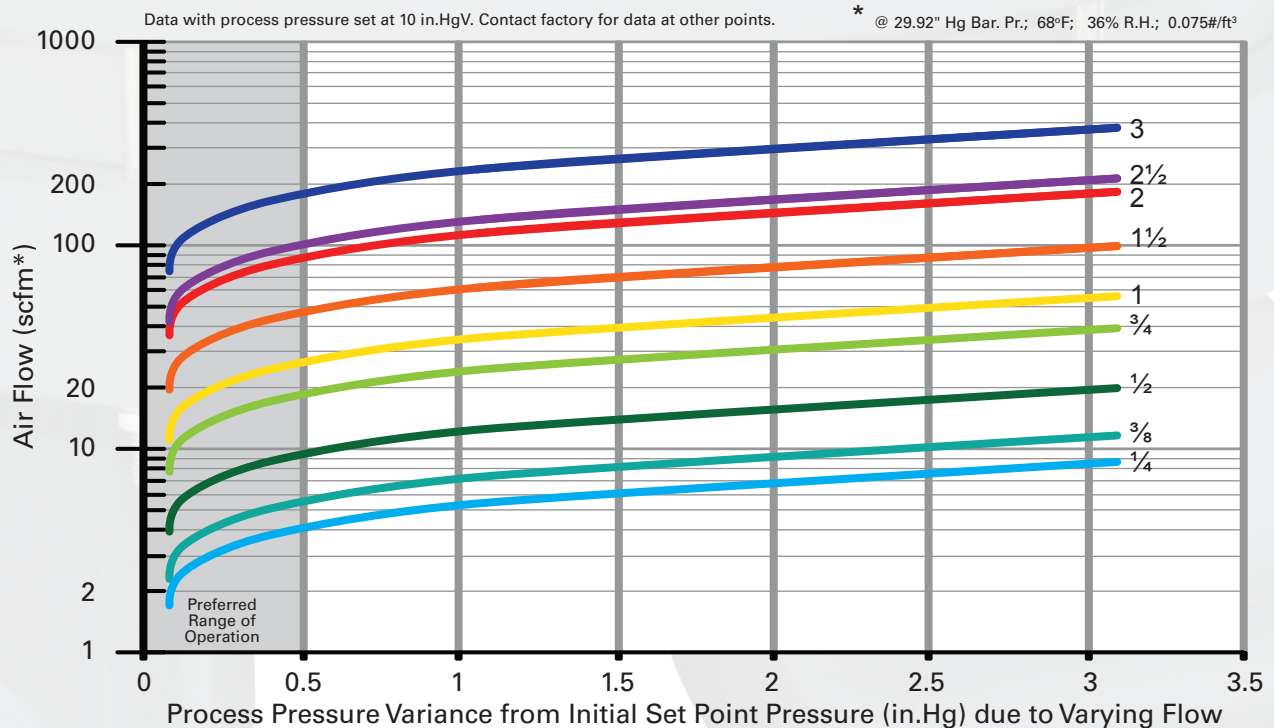
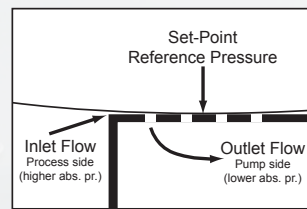


VACUUM REGULATORS

Non-Relieving, Constant Pressure

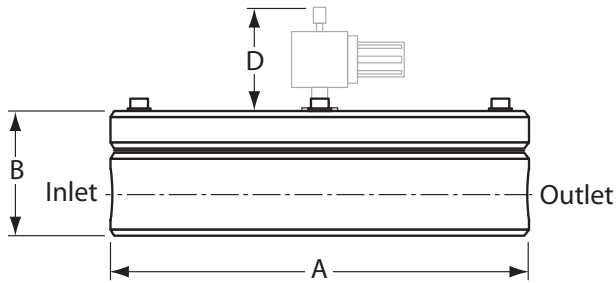


- Pressure range: 0.4 to 30 in.HgV
- Sizes: ¼" through 3"
- PVC (316 SS option)
- Viton or PTFE Diaphragm
- Stable process pressure over widely varying supply pressure.
- Friction-less design
- Manual or Computer Automated Control
- Non-relieving design

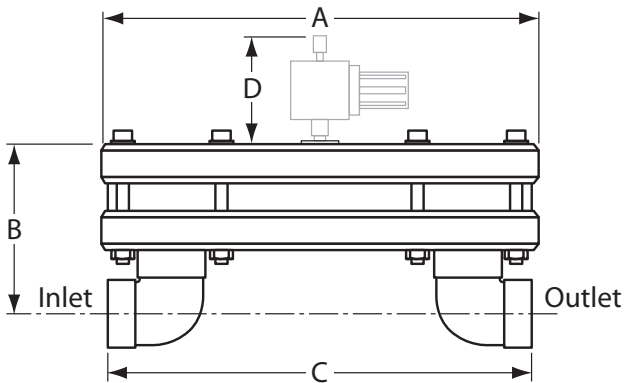


Engineering Vacuum and Pressure Solutions that are Like a Breath of Fresh Air

TECHNICAL DATA



	Model					
	BVRPVC.25	BVRPVC.38	BVRPVC.50	BVRPVC.75	BVRPVC1.0	
Inlet/Outlet (NPT)	1/4	3/8	1/2	3/4	1	
Cv Range (minimum)*	0.001	0.001	0.001	0.02	0.02	
Cv Range (maximum)	1.0	1.8	3.0	6.2	9.9	
Dimensions	(Inches)					
	A	3.0	3.5	4.5	6.0	7.0
	B	1.1	1.4	1.6	2.1	2.7
	D	2.8	2.8	2.8	2.8	2.8



	Model				
	BVRPVC1.5	BVRPVC2.0	BVRPVC2.5	BVRPVC3.0	
Inlet/Outlet (NPT)	1 1/2	2	2 1/2	3	
Cv Range (minimum*)	0.02	0.02	0.02	0.01	
Cv Range (maximum)	14.3	30	34	60	
Dimensions	(Inches)				
	A	4.3	3.0	3.5	4.0
	B	9	11	11	17
	D	2.8	2.8	2.8	2.8

* Minimum CV dependent upon diaphragm and setpoint pressure.

Other materials are available (e.g., CPVC, CSt, 316SS). Other connections are available (e.g., BSP, Flange). Contact factory for information.
 Manufacturer reserves right to alter data without notice.