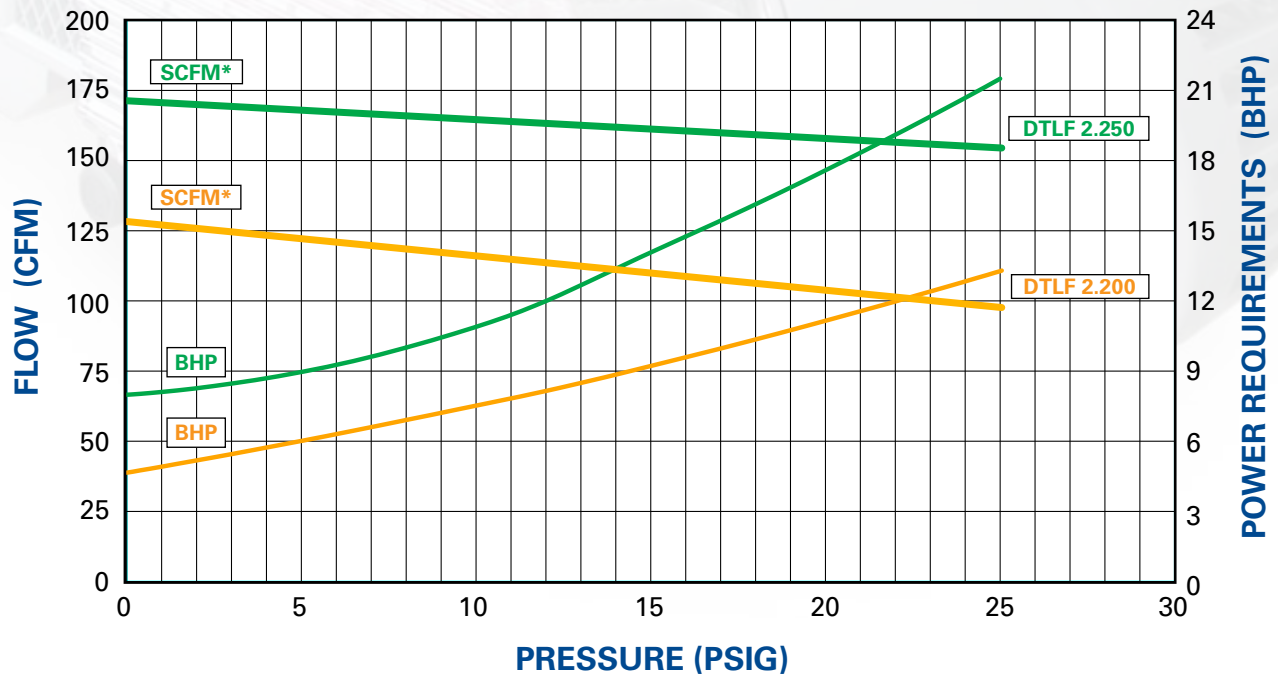


DTLF 2.200, 2.250

100% OIL-LESS COMPRESSORS

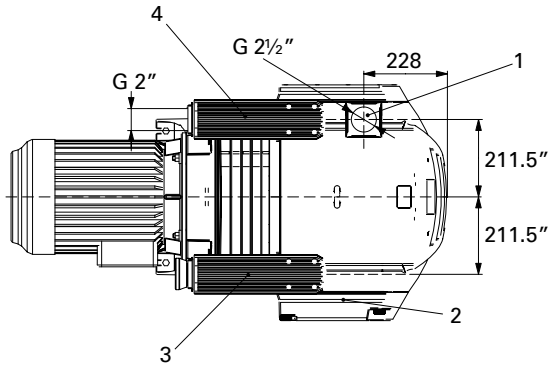


- 100% Oil-less (dry operation)
- Continuous duty rated operation:
Atm. to 25 PSIG
- Direct drive—no belts; no gears
- Low energy consumption
- TEFC motor
- Integral pressure regulating valve
- Integral extra-large 4-micron inlet filter
- Clear filter housing aids inspection
- Vibration isolators
- Quiet operation
- Cool running

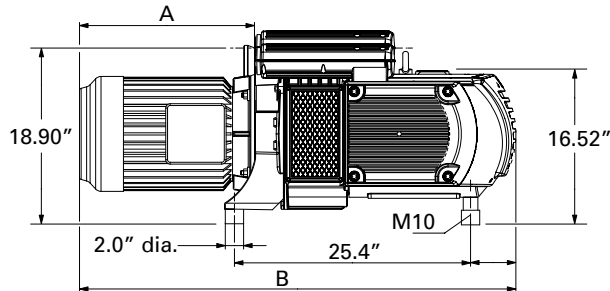


* @ 29.92" Hg Bar. Pr.; 68°F; 36% R.H.; 0.075#/ft³

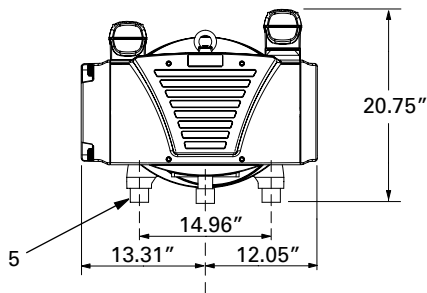
TECHNICAL DATA



Top View



Side View



End View (Opposite Motor End)

All data based on 60 Hz operation

	DTLF 2.200	DTLF 2.250	
Flow (SCFM @ 0 PSIG)	130	173	
Horsepower (kW)	12.5 (9.4)	22.1(16.6)	
Speed (RPM)	850	1150	
Max. Cont. Pressure (PSIG)	25	25	
Weight (lbs.)—w/ motor*	902	902	
Noise Level (Max. dBA)	83	86	
Outlet size (NPT, inches, with adapter, included)	2"	2"	
Dimensional Data	(Inches)		
	A	25.4	25.4
	B	15.0	15.0

* Overall specifications for units may vary due to motor provider. Contact factory for information. Manufacturer reserves right to alter data without notice.

- 1 - Outlet (Pressure) Port
- 2 - Inlet Filter Housing
- 3 - Inlet Silencer
- 4 - Pressure Relief Valve / Silencer
- 5 - Vibration Isolators