

High Volume Bag-type Inlet Filter

The Busch high volume bag-type filter is intended for use in applications where large volumes of solids or liquids may be present in the inlet gas stream and "self-cleaning" is needed.

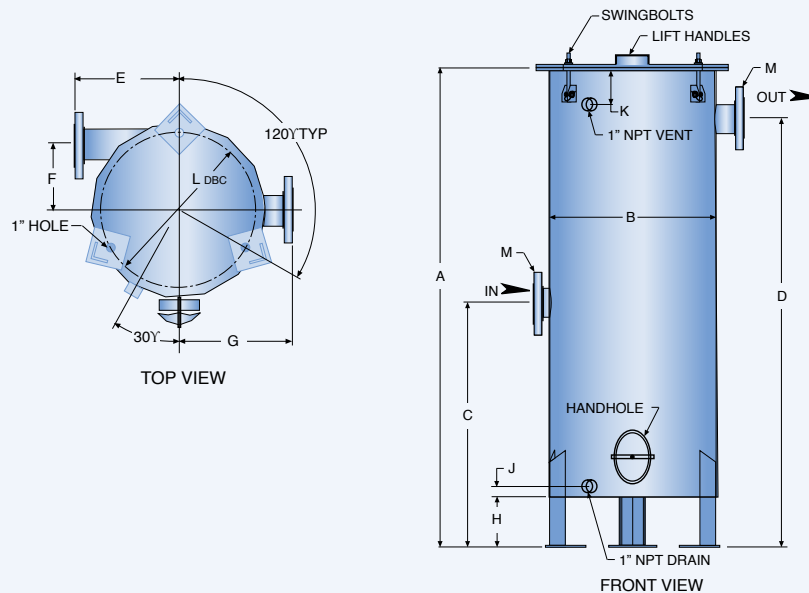
This two-stage inlet filter separates matter first by cyclonic (centrifugal) action, followed by physical separation by a 5 micron bag-type element. This element is in

the form of a loosely mounted, inverted cone-type, polyester filter that is inherently self-cleaning. As a cake is formed on the under side of the filter fabric, it is loosened by the motion of the element.

These particles then fall to the bottom of the steel housing. A drain is provided for liquids and an additional large clean-out port allows removal of solids. All covers and internal components

are sealed by Buna O-rings to ensure vacuum integrity and to keep particulates from entering the vacuum pump.

The filter medium is cleanable and easily replaceable. Pressure drop is kept to a minimum due to a large surface area.



Dimensions	A	B	C	D	E	F	G	H	J	K	L	M	CPM
SF 0100	28	12	11 ¹³ / ₁₆	23 ⁵ / ₈	9 ³ / ₈	4 ³ / ₄	9 ³ / ₈	3 ¹⁵ / ₁₆	1 ³ / ₈	4	9 ¹ / ₂	1 1/2" ANSI 150#	100
SF 0250	43	14 ¹ / ₂	21 ⁵ / ₈	38 ³ / ₁₆	9 ¹³ / ₁₆	5 ¹ / ₂	9 ¹³ / ₁₆	5 ⁷ / ₈	1 ³ / ₈	4	12	2" ANSI 150#	250
SF 0630	57 ¹³ / ₁₆	20	29 ¹ / ₂	52	11 ¹³ / ₁₆	7 ¹¹ / ₁₆	13 ³ / ₈	5 ⁷ / ₈	1 ³ / ₈	4	17 ¹ / ₂	3" ANSI 150#	500
SF 1000	68 ³ / ₁₆	24	29 ¹ / ₂	61 ³ / ₈	15 ⁷ / ₁₆	7 ⁷ / ₈	15 ⁷ / ₁₆	5 ⁷ / ₈	1 ³ / ₈	4	21 ¹ / ₂	6" ANSI 150#	1000

Filter Features:

- Liquids and solids separation
- Large capacity
- Low pressure drop
- Clean-out port
- Cleanable and replaceable elements
- 5 micron self-cleaning element
- Four sizes for pumps having capacities up to 1000 CFM
- Standard material-carbon steel. Contact factory for other materials
- Standard bag material is polyester. Contact factory for other materials

