

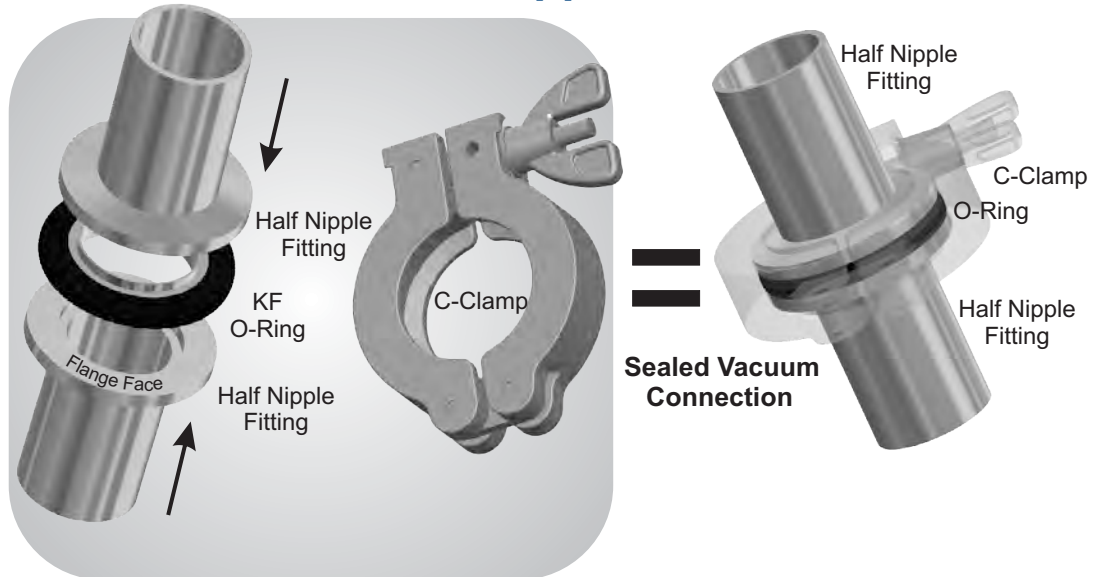


## 2 Vacuum Fittings - Adapters

### KF (Quick Flange)

**KF** (Quick Flange) are ISO standard vacuum fittings and have a flange size of KF-10, KF-16, KF-25, KF-40, and KF-50. They are commonly used to build foreline vacuum plumbing and process systems. They are quick to assemble and require no tools for assembly. A C-Clamp and centering O-ring form the vacuum seal between the connecting flanges. The mating flanges compress an O-ring while the C-clamp is tightened. This seals the connection and allows the vacuum pump to create the vacuum. The seal can be used in vacuum applications up to  $10^{-8}$  Torr. KF Quick Flange Fittings are made of type 304 stainless steel and some fittings come in aluminum.

**QUICK** and EASY Vacuum Connections with NO TOOLS Required  
 (KF Quick Flange) For applications to  $10^{-8}$  Torr



#### For KF Flange Assembly / Installation

Mate 2 same size KF flange faces (fittings may be different) to each other by means of a KF O-ring in between flange faces. Wrap a C-Clamp around the connection and hand tighten. The flange face surfaces compress the O-Ring creating the vacuum seal.

Ideal Vacuum takes pride in making some KF Fittings here in the USA!

Can't find that KF Fitting/Adapter? We Will Make It!



**Most KF IN STOCK**  
**Same Day Shipping**

# Vacuum Fittings - Adapters 2

## KF (Quick Flange)

### KF Elastomer O-Ring Comparisons

**BUNA** **BAKE OUT** 80°C(176°F)  
**Advantage** Good balance of desirable properties, excellent oil & fuel resistance, good water resistance. Lowest cost.  
**Disadvantage** Poor weather resistance, moderate heat resistance.

**VITON** **BAKE OUT** 150°C(302°F)  
**Advantage** Excellent chemical & heat resistance. Good mechanical & compression set resistance.

**Disadvantage** Not recommended for steam, polar solvents, hot hydrofluoric or chlorosulfonic acids.

**SILICONE** **BAKE OUT** 185°C(365°F)  
**Advantage** Excellent temperature extremes & compression set resistance.  
**Disadvantage** Poor physical strength and abrasion resistance.

### KF Specifications

**Max. Positive Pressure**  
 with over pressure ring

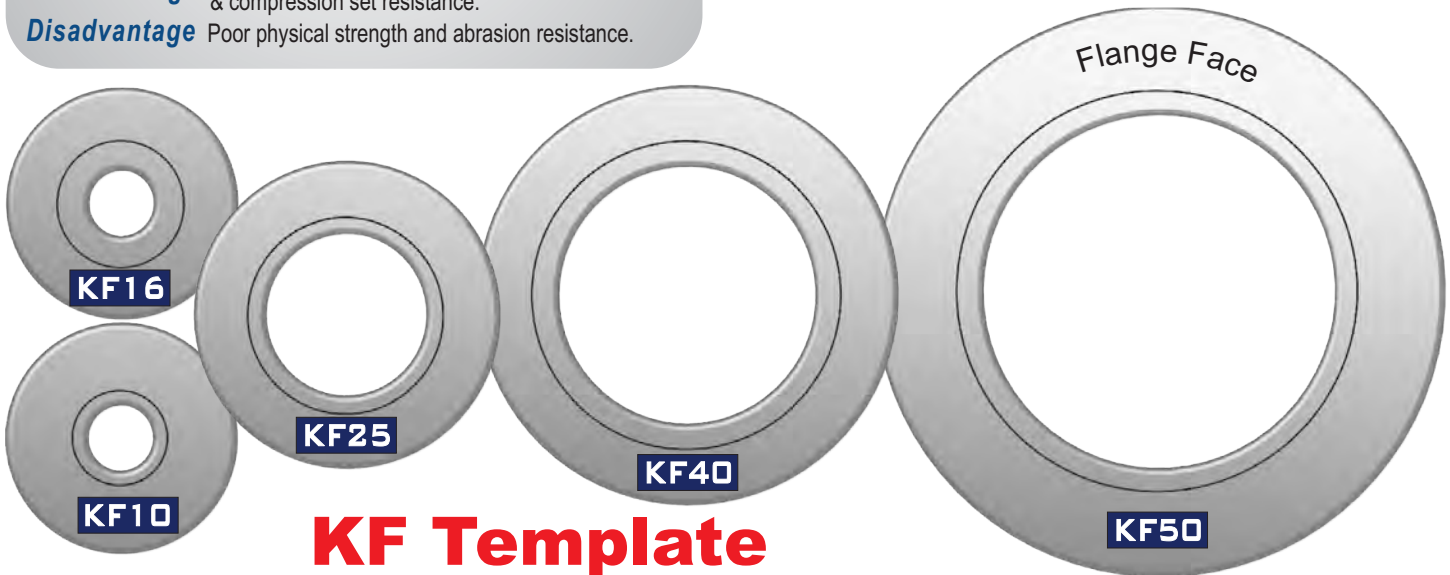
Flange Size	Max. Pressure
KF 10, 16, 25	100 psig
KF 40	75 psig
KF 50	50 psig

**Min. Pressure** 10<sup>-9</sup> Torr

**Leak Check** <10<sup>-9</sup> std-cc/s

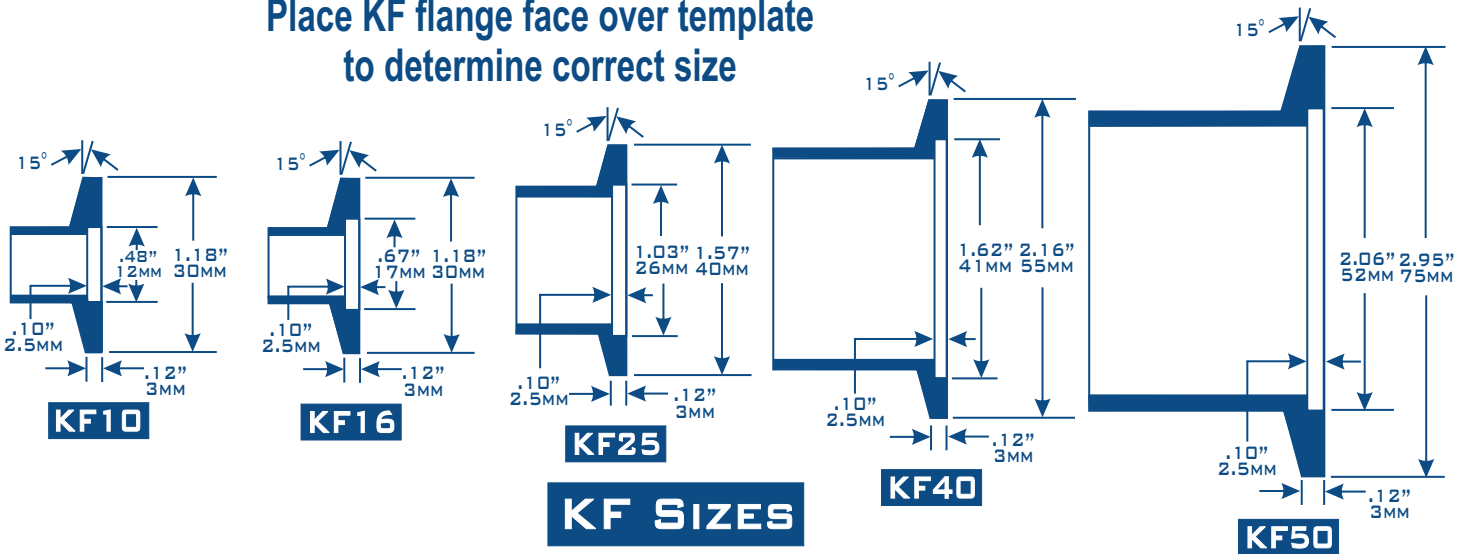
**Materials**

304 Stainless Steel, Yellow Brass, Aluminum, Viton, Silicone, Buna-N



## KF Template

Place KF flange face over template to determine correct size

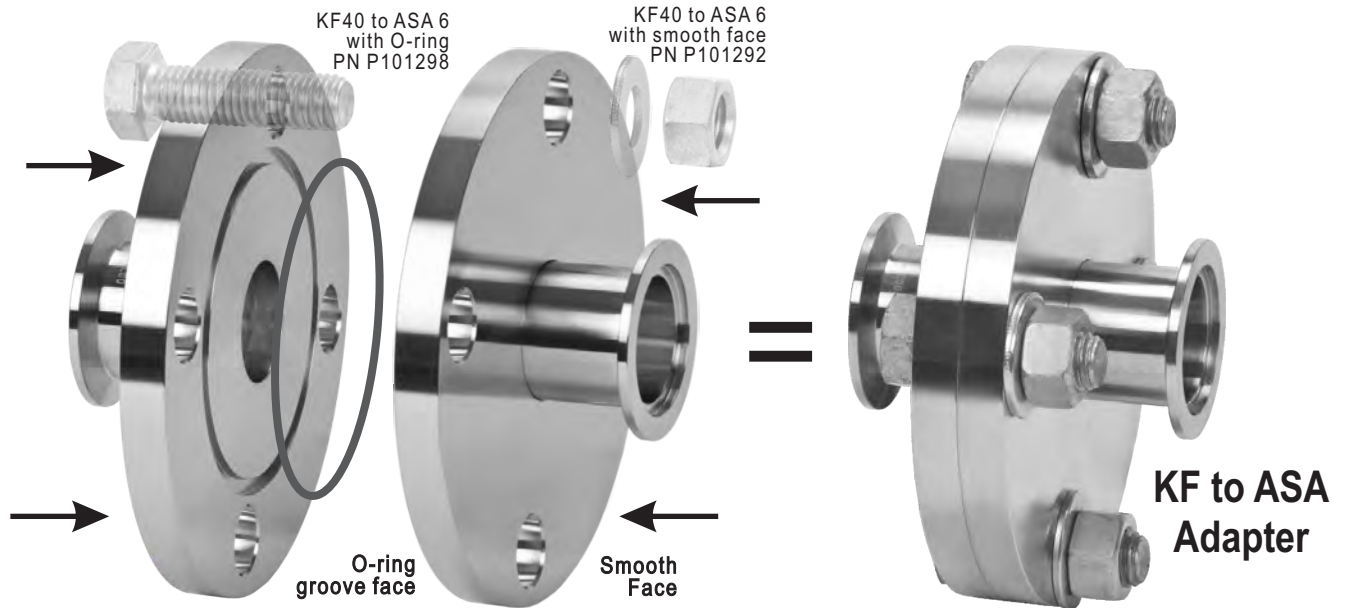


\* Catalog Pricing  
 Subject to Change



## 2 Vacuum Fittings - Adapters

### KF (Quick Flange)

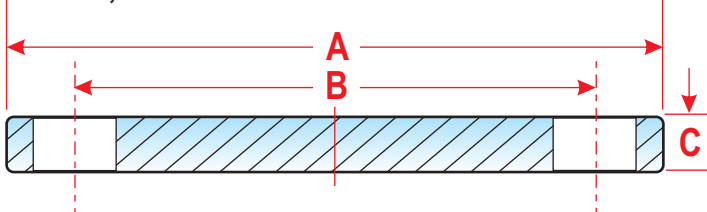


Must be mated with only one side having O-ring groove

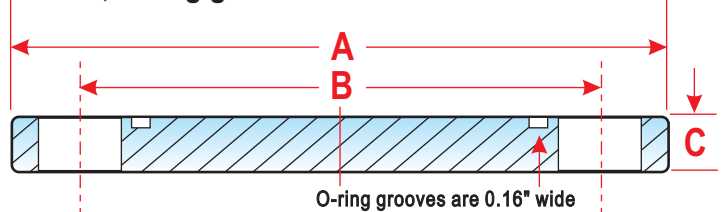
**ASA** DIMENSIONS are for BLANK smooth face and O-ring groove flanges.

ANSI	ASA (OD)	All Dimensions in INCHES				Bolt Holes		O-Ring		TORQUE ft. lbs.
		A	B	C	Bolt Sizes	NO.	DIA.	I.D.	width	
1	4.25	3.125	0.50	9/16-12 x 2	4	0.625	1.875	0.120	14	
1.5	5.00	3.880	0.50	9/16-12 x 2	4	0.625	2.500	0.120	14	
2	6.00	4.750	0.50	5/8-11 x 2	4	0.750	3.500	0.120	14	
3	7.50	6.000	0.50	5/8-11 x 2	4	0.750	4.625	0.120	14	
4	9.00	7.500	0.50	5/8-11 x 2	8	0.750	6.000	0.120	14	
6	11.00	9.500	0.75	3/4-10 x 2.25	8	0.812	8.000	0.120	24	
8	13.50	11.750	0.75	3/4-10 x 2.25	8	0.812	10.000	0.120	24	
10	16.00	14.250	0.75	3/4-10 x 2.25	12	0.812	12.000	0.120	24	

Blank, smooth face



Blank, O-ring groove face





**NPT  
PIPE  
THREAD**

If you've ever had a problem measuring pipe thread, you are not alone. The reason is, National Pipe Thread (NPT) does not refer to the actual inside or outside diameter of the pipe fitting. It refers to the industry designation, NOT THE ACTUAL SIZE. For instance, the actual measurement of "C" diameter below is 1-3/64" but the NPT size designation is 3/4". See Chart for other conversions.

**National Pipe Thread(NPT)**

DIMENSIONS		
C (Actual Size) C		NPT SIZE
Fraction	Decimal	
5/16"	0.3125	1/16"
13/32"	0.4050	1/8"
35/64"	0.5400	1/4"
43/64"	0.6750	3/8"
27/32"	0.8400	1/2"
1 3/64"	1.0500	3/4"
1 5/16"	1.3150	1"
1 21/32"	1.6600	1 1/4"
1 29/32"	1.9000	1 1/2"



**NOTE:**

PTFE Pipe Thread Tape is recommended for proper seal of National Pipe Thread (NPT).

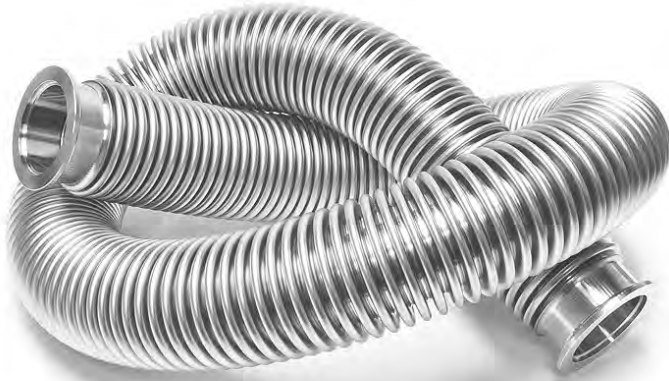
**TAPE WRAPPING SPECIFICATIONS**

NPT SIZE	TAPE WIDTH	WRAP TAPE
1/16" - 1/8" - 1/4" - 3/8"	1/4"	1 to 2 turns
1/2" - 3/4"	1/2"	2 to 3 turns
1" - 1-1/4"	1/2"	3 to 4 turns
1-1/2" and larger	3/4"	3 to 4 turns

\* Catalog Pricing  
Subject to Change

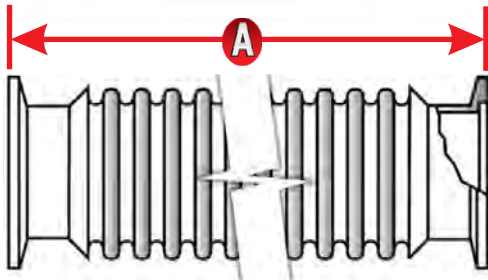
## 2 Vacuum Fittings - Adapters

### KF (Quick Flange) - Fittings -



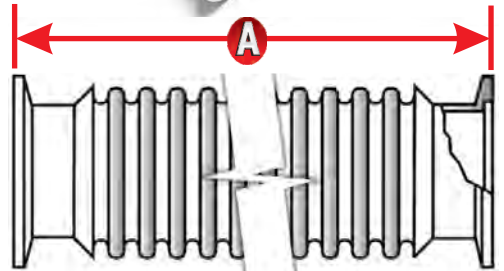
### KF Bellows Hose *Stainless Steel Extra Thin Wall*

KF Flange Size	A	IDEAL VACUUM P/N	Price*
KF16	10"	P103700	\$165.00
KF16	20"	P103702	\$250.00
KF16	40"	P103704	\$325.00
KF25	10"	P103718	\$199.50
KF25	20"	P103720	\$299.00
KF25	40"	P103722	\$425.00
KF40	10"	P103706	\$210.00
KF40	20"	P103708	\$255.65
KF40	40"	P103710	\$390.00
KF50	10"	P103712	\$275.00
KF50	20"	P103714	\$325.00
KF50	40"	P103716	\$425.00



### KF Bellows Hose *Stainless Steel Thin Wall*

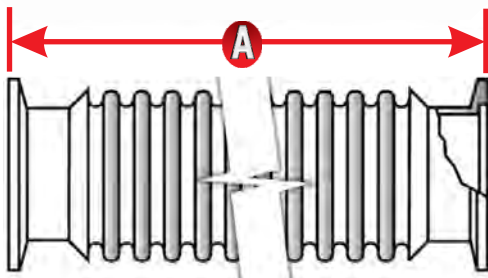
KF Flange Size	A	IDEAL VACUUM P/N	Price*
KF16	10"	P103699	\$125.00
KF16	20"	P103701	\$189.50
KF16	40"	P103703	\$289.50
KF25	10"	P103717	\$149.50
KF25	20"	P103719	\$225.00
KF25	40"	P103721	\$325.00
KF40	10"	P103705	\$165.00
KF40	20"	P103707	\$221.65
KF40	40"	P103709	\$375.00
KF50	10"	P103711	\$250.00
KF50	20"	P103713	\$250.00
KF50	40"	P103715	\$405.00



\* Catalog Pricing  
Subject to Change

# Vacuum Fittings - Adapters 2

## - Fittings - **KF** (Quick Flange)

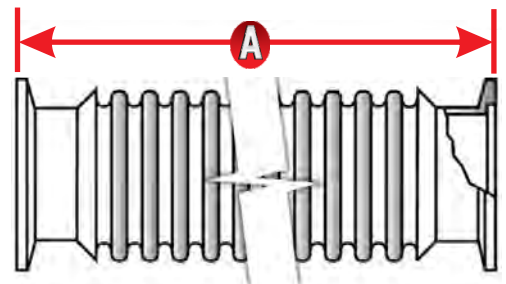


### **KF Bellows Hose** *Stainless Steel Medium Wall*

KF Flange Size	A	IDEAL VACUUM P/N	Price*
KF16	10"	P101657	\$96.60
KF16	20"	P101653	\$144.90
KF16	40"	P101646	\$243.60
KF25	10"	P101656	\$109.20
KF25	20"	P101652	\$171.15
KF25	40"	P101647	\$278.25
KF40	10"	P101655	\$121.80
KF40	20"	P101651	\$181.65
KF40	40"	P101649	\$289.50
KF50	10"	P101654	\$152.25
KF50	20"	P101650	\$212.10
KF50	40"	P101648	\$334.95

### **KF Bellows Hose** *Stainless Steel Thick Wall*

KF Flange Size	A	IDEAL VACUUM P/N	Price*
KF16	4"	P101237	\$56.70
KF16	10"	P101241	\$51.70
KF16	20"	P101254	\$72.45
KF16	40"	P101258	\$123.90
KF25	4"	P101238	\$68.25
KF25	10"	P101262	\$65.10
KF25	20"	P101255	\$96.60
KF25	40"	P101259	\$148.05
KF40	4"	P101239	\$77.70
KF40	10"	P101252	\$81.90
KF40	20"	P101256	\$123.90
KF40	40"	P101260	\$204.75
KF50	4"	P101240	\$95.55
KF50	10"	P101253	\$100.80
KF50	20"	P101257	\$185.85
KF50	40"	P101261	\$259.35



\* Catalog Pricing  
Subject to Change

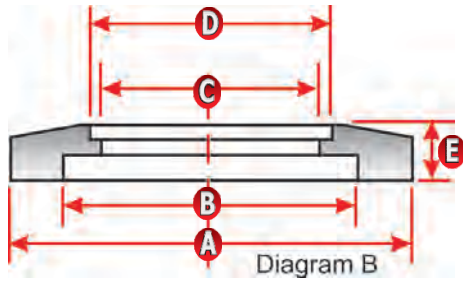
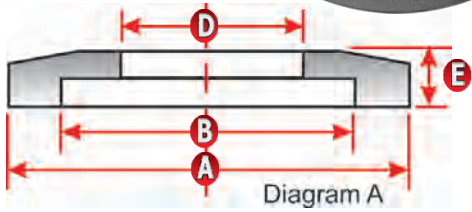


## 2 Vacuum Fittings - Adapters

### KF (Quick Flange) - Fittings -



(Sold as One Each  
Both Sides Shown)



### KF Bored Weld On *Stainless Steel*

KF Flange and Bore	Diagram	Dimensions in inches					IDEAL VACUUM P/N	Price*
		A	B	C	D	E		
KF10-3/8"	A	1.18	0.50	-	0.38	0.20	P103473	\$9.85
KF16-1/4"	A	1.18	0.67	-	0.26	0.20	P103474	\$9.85
KF16-3/8"	A	1.18	0.67	-	0.38	0.20	P103472	\$9.85
KF16-1/2"	B	1.18	0.67	0.39	0.50	0.20	P103475	\$9.85
KF16-3/4"	B	1.18	0.67	0.65	0.76	0.18	P103476	\$9.85
KF25-1/4"	A	1.57	1.02	-	0.25	0.20	P103461	\$11.38
KF25-3/8"	A	1.57	1.02	-	0.38	0.20	P103462	\$12.38
KF25-1/2"	B	1.57	1.02	0.39	0.50	0.20	P101278	\$9.85
KF25-3/4"	B	1.57	1.02	0.65	0.76	0.20	P101279	\$9.85
KF25-1.0"	B	1.57	1.02	0.91	1.00	0.19	P103463	\$12.85
KF40-1/4"	A	2.17	1.61	-	.026	0.20	P103464	\$12.95
KF40-3/8"	A	2.17	1.61	-	0.38	0.20	P103465	\$13.98
KF40-1/2"	B	2.17	1.61	0.39	0.50	0.20	P101280	\$13.95
KF40-3/4"	B	2.17	1.61	0.65	0.76	0.20	P101281	\$13.95
KF40-1.0"	B	2.17	1.61	0.91	0.22	0.20	P101282	\$13.95
KF40-1.5"	B	2.17	1.61	1.40	38.35	0.20	P103466	\$16.24
KF50-1/4"	A	2.95	2.05	-	6.50	0.20	P103467	\$18.95
KF50-3/8"	A	2.95	2.05	-	9.65	0.20	P103468	\$19.25
KF50-1/2"	B	2.95	2.05	0.39	12.95	0.20	P103469	\$19.50
KF50-3/4"	B	2.95	2.05	0.65	19.30	0.20	P101283	\$20.25
KF50-1.0"	B	2.95	2.05	0.91	25.65	0.20	P101284	\$20.25
KF50-1.5"	B	2.95	2.05	1.40	38.35	0.20	P101285	\$20.25
KF50-2.0"	B	2.95	2.05	1.89	51.05	0.20	P103470	\$21.35

### KF Blank Off Flange *Stainless Steel*

KF Flange Size	A	IDEAL VACUUM P/N	Price*
KF10	.20"	P102321	\$7.60
KF16	.20"	P101202	\$7.60
KF25	.20"	P101203	\$8.30
KF40	.20"	P101204	\$13.55
KF50	.20"	P102320	\$16.60



(Sold as One Each  
Both Sides Shown)



# Vacuum Fittings - Adapters 2

## - Fittings - KF (Quick Flange)



(Sold as One Each  
Both Sides Shown)

### KF Blank Off Flange **ALUMINUM**

KF Flange Size	A	IDEAL VACUUM P/N	Price*
KF10	.20"	P104091	\$12.28
KF16	.20"	P104090	\$12.28
KF25	.20"	P104089	\$13.28
KF40	.20"	P104088	\$15.28
KF50	.20"	P104087	\$16.28

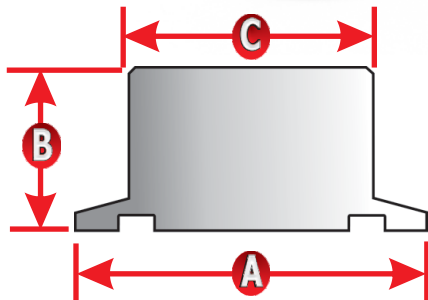


### KF Blank Off Flange **Yellow Brass**

KF Flange Size	A	IDEAL VACUUM P/N	Price*
KF16	.20"	P101202	\$7.60
KF25	.20"	P101203	\$8.30
KF40	.20"	P101204	\$13.55
KF50	.20"	P102320	\$16.60



(Sold as One Each  
Both Sides Shown)



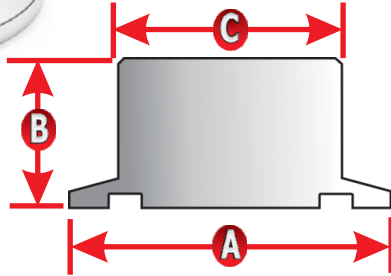
### KF Stub Blank **Stainless Steel**

KF Flange	A	B	C	IDEAL VACUUM P/N	Price*
KF10	1-3/16"	9/16"	3/4"	P103490	\$12.75
KF16	1-3/16"	9/16"	3/4"	P103587	\$12.75
KF16	1-3/16"	3/4"	3/4"	P101274	\$12.75
KF25	1-9/16"	3/4"	1.00"	P101275	\$15.05
KF25	1-9/16"	3/4"	1-1/4"	P103588	\$15.05
KF40	2-3/8"	1.00"	1-1/2"	P101276	\$20.80
KF40	2-3/8"	1.00"	1-3/4"	P103589	\$20.80
KF50	2-15/16"	1.00"	2.00"	P101277	\$29.00
KF50	2-15/16"	1.00"	2-1/4"	P103590	\$29.00

\* Catalog Pricing  
Subject to Change

## 2 Vacuum Fittings - Adapters

### KF (Quick Flange) - Fittings -

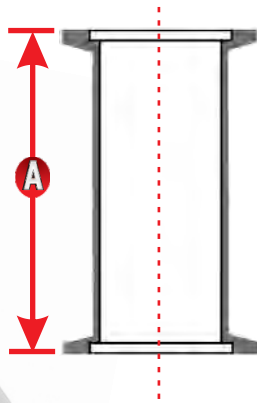
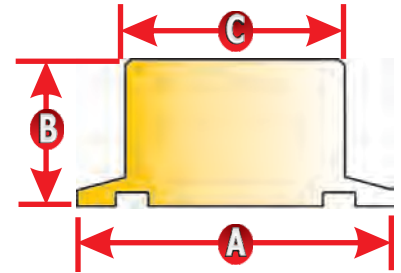


### KF Stub Blank ALUMINUM

KF Flange & Stub Width	A	B	C	IDEAL VACUUM P/N	Price*
KF10	1-3/16"	9/16"	3/4"	P104096	\$19.85
KF16	1-3/16"	3/4"	3/4"	P104095	\$19.85
KF25	1-9/16"	3/4"	1.00"	P104094	\$20.85
KF40	2-3/8"	1.00"	1-1/2"	P104093	\$22.85
KF50	2-15/16"	1.00"	2.00"	P104092	\$23.85

### KF Stub Blank Yellow Brass

KF Flange & Stub Width	A	B	C	IDEAL VACUUM P/N	Price*
KF16	1-3/16"	3/4"	3/4"	P104214	\$19.85
KF25	1-9/16"	3/4"	1.00"	P104215	\$22.85
KF40	2-3/8"	1.00"	1-1/2"	P104216	\$24.85
KF50	2-15/16"	1.00"	2.00"	P104217	\$29.85



### KF Full Nipple Stainless Steel

KF Flange Size	A	IDEAL VACUUM P/N	Price*
KF10	2.50"	P103445	\$39.70
KF16	2.30"	P103441	\$39.70
KF16	3.15"	P101233	\$39.70
KF16	12.6"	P103446	\$41.75
KF25	3.94"	P101234	\$45.50
KF25	4.00"	P103442	\$45.50
KF25	12.6"	P103448	\$53.95
KF40	4.80"	P103443	\$56.70
KF40	5.12"	P101235	\$56.70
KF40	12.6"	P103449	\$79.95
KF50	5.51"	P101236	\$68.25
KF50	6.30"	P103444	\$68.25
KF50	12.6"	P103450	\$89.95

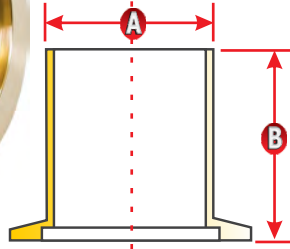
\* Catalog Pricing  
Subject to Change



# Vacuum Fittings - Adapters 2

## - Fittings - **KF** (Quick Flange)

### **KF Braze Half Nipple** Yellow Brass

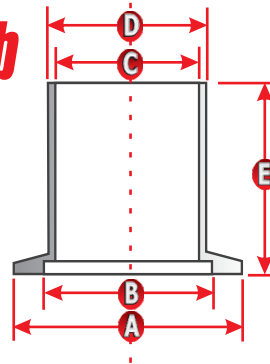


KF Flange Size	For Tubing O.D.	A	B	IDEAL VACUUM P/N	Price*
KF16	1/2"	0.50"	1.00"	P104218	\$20.40
KF16	5/8"	0.62"	1.00"	P104219	\$20.40
KF16	3/4"	0.75"	1.00"	P104220	\$20.40
KF25	1.00"	1.00"	1.38"	P104221	\$25.40
KF25	1-1/8"	1.13"	1.38"	P104222	\$25.40
KF40	1-5/8"	1.63"	1.58"	P104223	\$29.40
KF50	2.00"	2.00"	1.58"	P104224	\$39.40
KF50	2-1/8"	2.13"	1.58"	P104225	\$39.40

### **Stainless Steel**

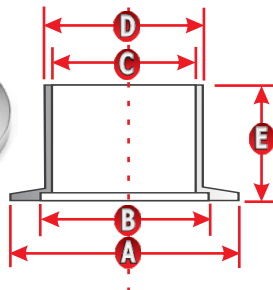
### **KF Half Nipple Long Weld Stub**

KF Flange Size	Tubing O.D.	A	B	C	D	E	IDEAL VACUUM P/N	Price*
KF10	1/2"	1.18"	0.48"	0.37"	0.50"	1.57"	P103478	\$14.40
KF16	1/2"	1.18"	0.67"	0.37"	0.50"	1.57"	P103842	\$14.40
KF16	3/4"	1.18"	0.67"	0.63"	0.76"	1.57"	P101217	\$14.40
KF25	1.00"	1.57"	1.03"	0.87"	1.00"	1.57"	P101218	\$16.60
KF40	1-1/2"	2.16"	1.62"	1.37"	1.50"	1.57"	P101220	\$18.80
KF50	2.00"	2.95"	2.06"	1.87"	2.00"	1.57"	P101222	\$29.90



### **Stainless Steel**

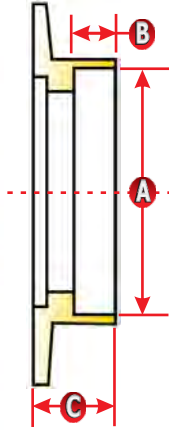
### **KF Half Nipple Short Weld Stub**



KF Flange Size	Tubing O.D.	A	B	C	D	E	IDEAL VACUUM P/N	Price*
KF10	1/2"	1.18"	0.48"	0.37"	0.50"	0.50"	P103169	\$9.25
KF16	1/2"	1.18"	0.67"	0.37"	0.50"	0.50"	P101266	\$9.25
KF16	3/4"	1.18"	0.67"	0.62"	0.75"	0.50"	P102540	\$9.25
KF25	1.00"	1.57"	1.03"	0.87"	0.98"	0.50"	P101267	\$10.85
KF40	1-1/2"	2.17"	1.62"	1.34"	1.50"	0.75"	P101268	\$14.10
KF50	2.00"	2.95"	2.05"	1.87"	2.00"	0.75"	P101269	\$20.40

## 2 Vacuum Fittings - Adapters

### KF (Quick Flange) - Fittings -

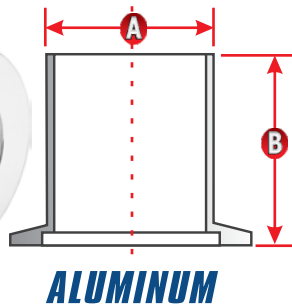
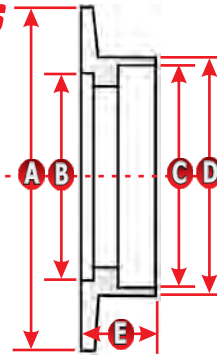


### KF Braze Socket *Yellow Brass*

KF Flange Size	For Tubing O.D.	A	B	C	IDEAL VACUUM P/N	Price*
KF16	1/2"	0.50"	0.25"	0.50"	P104258	\$20.40
KF16	5/8"	0.62"	0.25"	0.50"	P104229	\$20.40
KF16	3/4"	0.75"	0.25"	0.62"	P104230	\$20.40
KF25	1.00"	1.00"	0.25"	0.50"	P104231	\$25.40
KF25	1-1/8"	1.13"	0.25"	0.62"	P104232	\$25.40
KF40	1-5/8"	1.63"	0.50"	1.00"	P104233	\$29.40
KF50	2.00"	2.00"	0.50"	1.00"	P104234	\$36.40
KF50	2-1/8"	2.13"	0.50"	1.00"	P104235	\$36.40

### KF Weld Socket Flange *Stainless Steel*

KF Flange Size	Tubing O.D.	A	B	C	D	E	IDEAL VACUUM P/N	Price*
KF10	1/2"	1.18"	0.48"	0.52"	0.61"	0.50"	P103477	\$9.90
KF16	5/8"	1.18"	0.67"	0.67"	0.79"	0.50"	P101270	\$9.90
KF16	3/4"	1.18"	0.67"	0.76"	0.87"	0.50"	P103591	\$9.90
KF25	1.00"	1.57"	1.03"	1.02"	1.13"	0.50"	P101271	\$11.50
KF40	1-1/2"	2.17"	1.17"	1.52"	1.75"	0.50"	P101272	\$13.25
KF50	2.00"	2.95"	2.05"	1.52"	2.25"	0.50"	P101273	\$19.85



### ALUMINUM

### KF Half Nipple Long Weld Stub

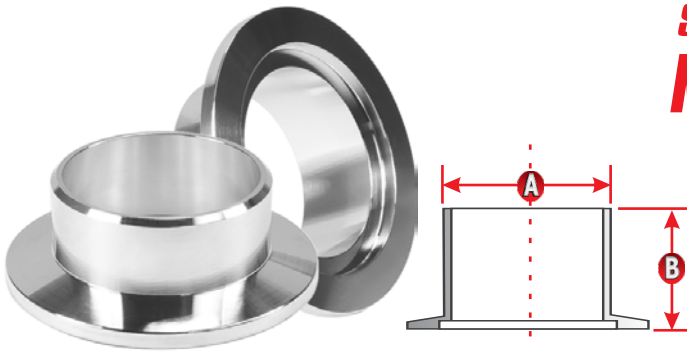
KF Flange Size	Tubing O.D.	A	B	IDEAL VACUUM P/N	Price*
KF16	1/2"	0.50"	1.58"	P104607	\$18.40
KF25	1.00"	1.00"	1.58"	P104608	\$22.40
KF40	1-1/2"	1.50"	1.58"	P104609	\$24.40
KF50	2.00"	2.00"	1.58"	P104610	\$24.40

\* Catalog Pricing  
Subject to Change

# Vacuum Fittings - Adapters 2

## - Fittings - **KF** (Quick Flange)

### Stainless Steel KF Half Nipple Short Weld Stub

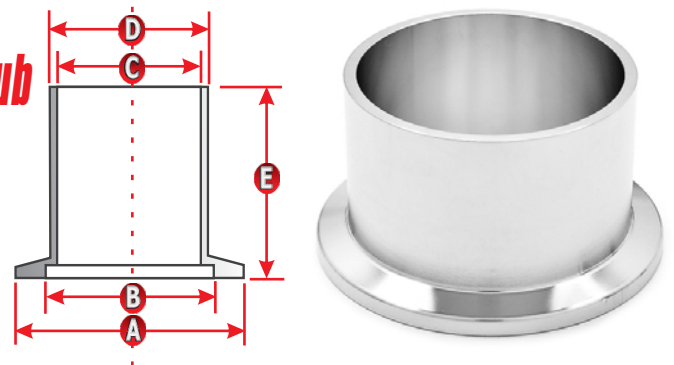


KF Flange Size	Tube Size	A	B	IDEAL VACUUM P/N	Price*
KF16	1/2"	0.50"	0.50"	P104602	\$14.40
KF16	3/4"	0.75"	0.50"	P104603	\$14.40
KF25	1.00"	1.00"	0.50"	P104604	\$16.40
KF40	1-1/2"	1.50"	0.75"	P104605	\$18.40
KF50	2.00"	2.00"	0.75"	P104606	\$23.40

**Stainless Steel** (Uses Standard KF O-Rings and Clamps, METRIC Tube Sizes)

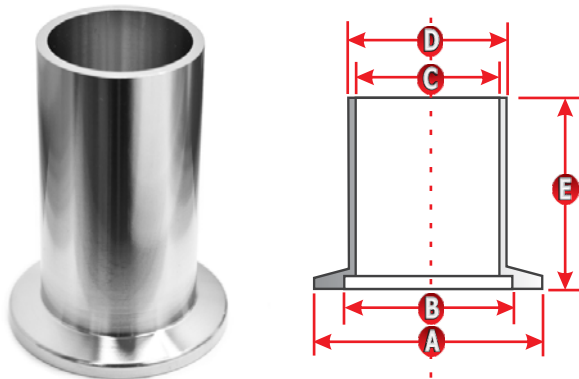
### METRIC European Half Nipple Short Weld Stub

KF Flange Size	Tubing O.D.mm	A	B	C	D	E	IDEAL VACUUM P/N	Price*
DN/KF10	14	1.18"	0.48"	0.40"	0.56"	1.18"	P103479	\$14.40
DN/KF16	20	1.18"	0.67"	0.64"	0.79"	1.18"	P103480	\$14.95
DN/KF25	28	1.57"	1.03"	0.95"	1.10"	1.18"	P103481	\$18.80
DN/KF40	44.50	2.17"	1.65"	1.65"	1.75"	1.18"	P103482	\$19.75
DN/KF50	57	2.98"	2.06"	2.06"	2.30"	1.18"	P103483	\$29.90



**Stainless Steel** (Uses Standard KF O-Rings and Clamps, METRIC Tube Sizes)

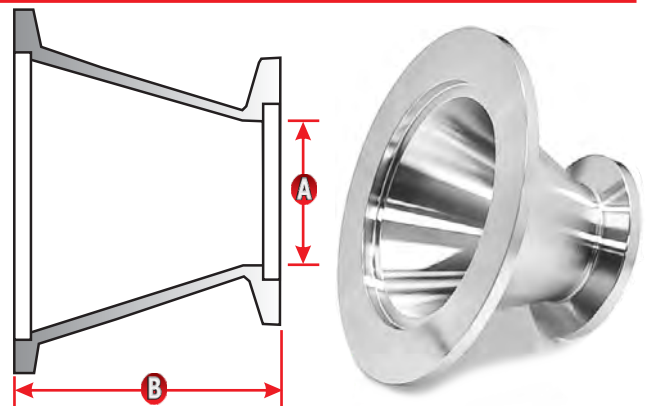
### METRIC European Half Nipple Long Weld Stub



KF Flange Size	Tubing O.D.mm	A	B	C	D	E	IDEAL VACUUM P/N	Price*
DN/KF10	14	1.18"	0.48"	0.40"	0.56"	2.17"	P103484	\$19.95
DN/KF16	20	1.18"	0.67"	0.64"	0.79"	2.17"	P103485	\$19.95
DN/KF25	28	1.57"	1.03"	0.95"	1.10"	2.17"	P103486	\$21.95
DN/KF40	44.50	2.17"	1.65"	1.65"	1.75"	2.17"	P103487	\$25.95
DN/KF50	57	2.98"	2.06"	2.06"	2.26"	2.17"	P103488	\$36.98

### Stainless Steel KF to KF Reducer "conical"

KF Flange Size	A	B	IDEAL VACUUM P/N	Price*
KF16 to KF25	0.62"	1.57"	P101227	\$39.70
KF16 to KF40	0.62"	1.57"	P101228	\$43.05
KF16 to KF50	0.62"	1.57"	P101229	\$45.70
KF25 to KF40	0.87"	1.57"	P101230	\$44.65
KF25 to KF50	0.87"	1.57"	P101231	\$48.00
KF40 to KF50	1.34"	1.57"	P101232	\$51.90

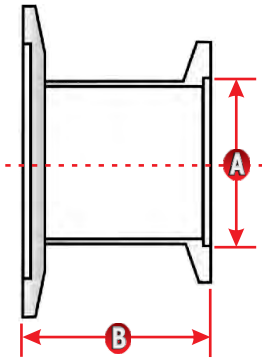


\* Catalog Pricing  
Subject to Change



## 2 Vacuum Fittings - Adapters

### KF (Quick Flange) - Fittings -

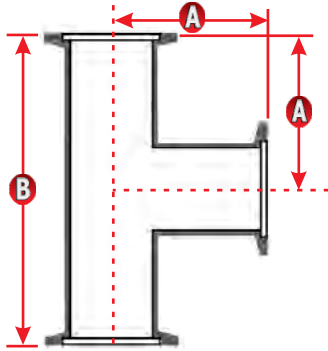
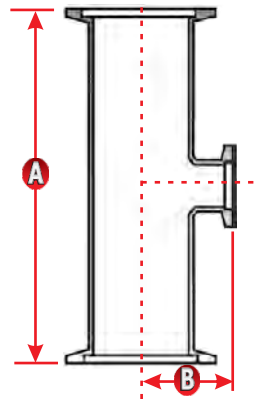


### Stainless Steel KF to KF Reducer "straight"

KF Flange Size	A	B	IDEAL VACUUM P/N	Price*
KF16 to KF25	0.62"	1.57"	P103455	\$39.70
KF16 to KF40	0.62"	1.57"	P103456	\$43.05
KF16 to KF50	0.62"	1.57"	P103457	\$45.70
KF25 to KF40	0.87"	1.57"	P103458	\$44.65
KF25 to KF50	0.87"	1.57"	P103459	\$48.00
KF40 to KF50	1.34"	1.57"	P103460	\$51.90

### KF TEE Reducer stainless Steel

KF Flange Size	A	B	IDEAL VACUUM P/N	Price*
KF16 to KF25	3.94"	1.10"	P101263	\$74.55
KF16 to KF40	5.12"	1.33"	P101264	\$87.15
KF16 to KF50	5.51"	1.58"	P101265	\$105.00
KF25 to KF40	4.80"	2.30"	P101633	\$112.35
KF25 to KF50	5.5"	2.5"	P101634	\$116.55
KF40 to KF50	6.3"	2.7"	P101635	\$131.25

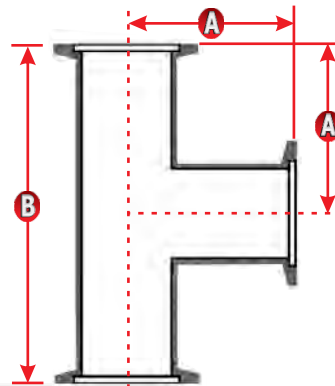


### KF TEE stainless Steel

KF Flange Size	A	B	IDEAL VACUUM P/N	Price*
KF16	1.57"	3.15"	P101209	\$72.45
KF25	1.97"	3.94"	P101210	\$82.95
KF40	2.56"	5.12"	P101211	\$93.45
KF50	2.76"	5.51"	P101212	\$127.05

### KF TEE ALUMINUM Machined Cast

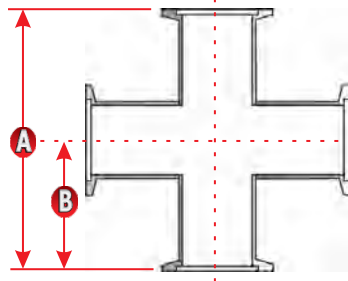
KF Flange Size	A	B	IDEAL VACUUM P/N	Price*
KF16	1.57"	3.15"	P103431	\$72.45
KF25	1.97"	3.94"	P103432	\$82.95
KF40	2.56"	5.12"	P103433	\$93.45



\* Catalog Pricing  
Subject to Change

# Vacuum Fittings - Adapters 2

## - Fittings - **KF** (Quick Flange)

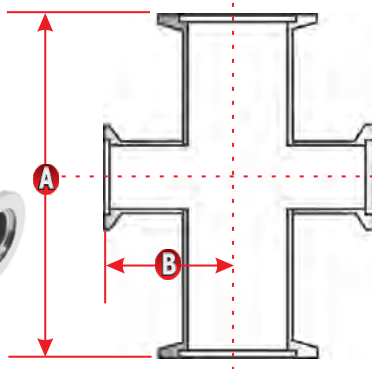
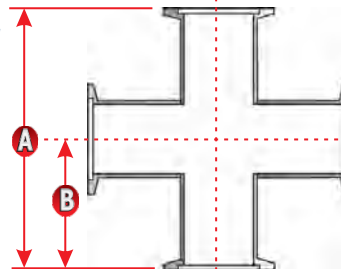


### **KF 4 Way Cross** *Stainless Steel*

KF Flange Size	A	B	IDEAL VACUUM P/N	Price*
KF16	3.15"	1.57"	P101205	\$105.00
KF25	3.94"	1.97"	P101206	\$121.80
KF40	5.12"	2.56"	P101207	\$149.10
KF50	5.50"	2.75"	P101208	\$198.45

### **KF 4 Way Cross** *Machined Cast ALUMINUM*

KF Flange Size	A	B	IDEAL VACUUM P/N	Price*
KF16	3.15"	1.57"	P103434	\$105.00
KF25	3.94"	1.97"	P103435	\$121.80
KF40	5.12"	2.56"	P103436	\$149.10

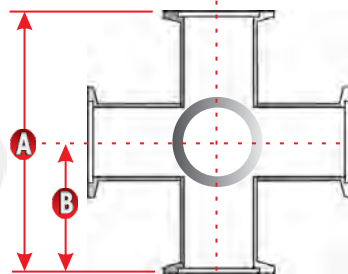
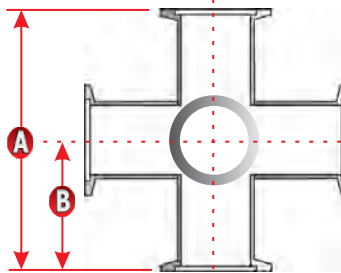


### **KF Reducer Cross** *Stainless Steel*

KF Flange Size	A	B	IDEAL VACUUM P/N	Price*
KF25 to KF16	3.94"	1.70"	P102654	\$125.00
KF40 to KF16	5.12"	1.95"	P102655	\$145.00
KF40 to KF25	5.12"	2.25"	P102656	\$155.00
KF50 to KF16	5.50"	2.25"	P102657	\$195.00
KF50 to KF25	5.50"	2.50"	P102658	\$200.00
KF50 to KF40	5.50"	2.80"	P102659	\$205.00

### **KF 5 Way Cross** *Stainless Steel*

KF Flange Size	A	B	IDEAL VACUUM P/N	Price*
KF16	3.15"	1.60"	P102638	\$225.00
KF25	4.00"	2.00"	P102639	\$195.00
KF40	5.20"	2.55"	P102640	\$220.00
KF50	5.50"	2.25"	P102641	\$290.00



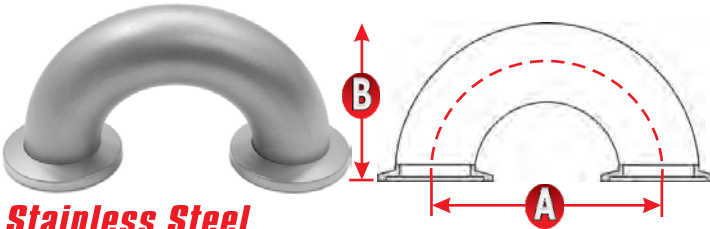
### **KF 6 Way Cross** *Stainless Steel*

KF Flange Size	A	B	IDEAL VACUUM P/N	Price*
KF16	3.15"	1.60"	P102642	\$195.00
KF25	4.00"	2.00"	P102643	\$220.00
KF40	5.20"	2.55"	P102644	\$430.00
KF50	5.50"	2.25"	P102645	\$475.00

\* Catalog Pricing  
Subject to Change

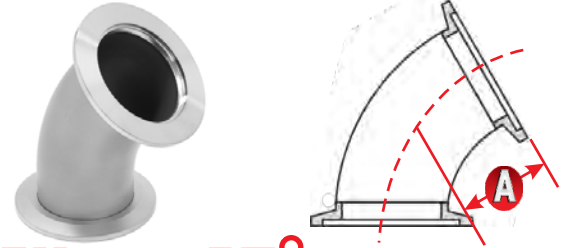
## 2 Vacuum Fittings - Adapters

### KF (Quick Flange) - Fittings -



**Stainless Steel**  
**KF Elbow 180° Return**

KF Flange Size	A	B	IDEAL VACUUM P/N	Price*
KF16	2.25"	1.67"	P102650	\$78.00
KF25	3.00"	2.71"	P102651	\$83.00
KF40	5.12"	2.71"	P102652	\$105.00
KF50	6.00"	4.17"	P102653	\$130.00



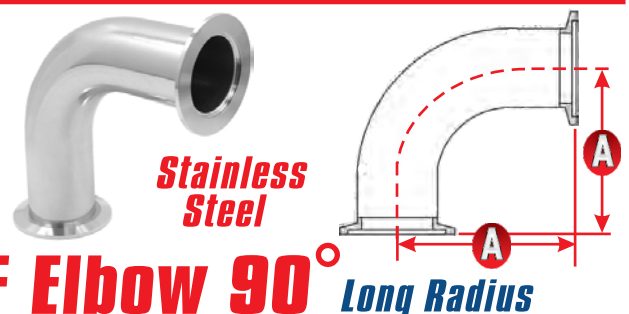
**Stainless Steel**  
**KF Elbow 45°**

KF Flange Size	A	IDEAL VACUUM P/N	Price*
KF16	0.91"	P101213	\$50.75
KF25	1.12"	P101214	\$58.80
KF40	1.68"	P101215	\$91.35
KF50	2.00"	P101216	\$97.65



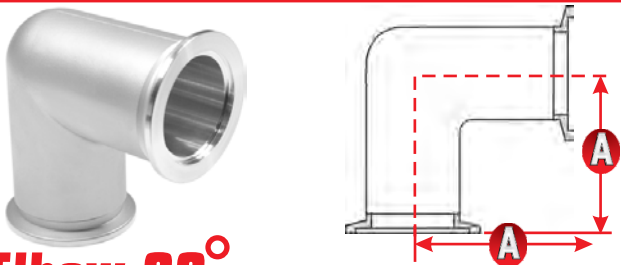
**Stainless Steel**  
**KF Elbow 90°**

KF Flange Size	A	IDEAL VACUUM P/N	Price*
KF16	1.15"	P101226	\$44.10
KF25	1.65"	P101225	\$49.70
KF40	2.40"	P101224	\$69.30
KF50	3.15"	P101223	\$88.20



**Stainless Steel**  
**KF Elbow 90° Long Radius**

KF Flange Size	A	IDEAL VACUUM P/N	Price*
KF16	2.65"	P104169	\$79.95
KF25	3.56"	P103440	\$86.50
KF40	5.12"	P102334	\$93.45
KF50	5.50"	P102335	\$110.25



**Stainless Steel**  
**KF Elbow 90° Machined Cast ALUMINUM**

KF Flange Size	A	IDEAL VACUUM P/N	Price*
KF16	1.60"	P103437	\$44.10
KF25	2.00"	P103438	\$49.70
KF40	2.55"	P103439	\$69.30



**Stainless Steel**  
**KF Elbow 90° Mitered**

KF Flange Size	A	IDEAL VACUUM P/N	Price*
KF16	1.57"	P102646	\$48.00
KF25	1.97"	P102647	\$54.00
KF40	5.12"	P102648	\$72.00
KF50	3.10"	P102649	\$93.00



# Vacuum Fittings - Adapters 2

## - Fittings - KF (Quick Flange)



### KF Centering Ring *Stainless Steel With BUNA Rubber*

KF Flange Size	IDEAL VACUUM P/N	Price*
KF10	P101959	\$5.15
KF16	P101960	\$5.15
KF25	P101961	\$6.20
KF40	P101962	\$9.05
KF50	P101963	\$10.85

### KF Centering Ring *Stainless Steel With Viton Rubber*

KF Flange Size	IDEAL VACUUM P/N	Price*
KF10	P101958	\$5.90
KF16	P101242	\$5.90
KF25	P101243	\$6.95
KF40	P101244	\$10.50
KF50	P101245	\$13.65



### KF Centering Ring *Stainless Steel With Viton® Rubber*

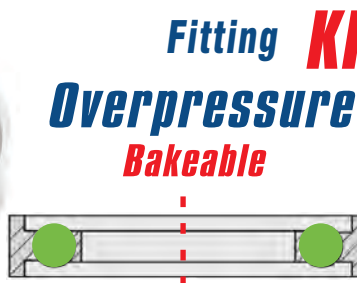
#### *Adaptive for obsolete bore sizes*

KF Flange Size	IDEAL VACUUM P/N	Price*
KF10 to KF16	P101246	\$8.85
KF20 to KF25	P101247	\$11.55
KF32 to KF40	P101248	\$15.05

### KF Centering Ring *Stainless Steel With Viton Rubber*

KF Flange Size	IDEAL VACUUM P/N	Price*
KF16	P103489	\$18.90
KF25	P101630	\$18.90
KF40	P101631	\$19.45
KF50	P101632	\$23.90

**Overpressure**  
*Where pressure leaks are critical*



### Fitting KF Centering Ring *Stainless Steel With Viton Rubber*

#### *Overpressure Bakeable*

KF Flange Size	IDEAL VACUUM P/N	Price*
KF16	P103180	\$26.05
KF25	P103181	\$29.95
KF40	P103182	\$39.75
KF50	P103183	\$49.48

\* Catalog Pricing  
Subject to Change

## 2 Vacuum Fittings - Adapters

### KF (Quick Flange) - Fittings -



### BUNA Rubber KF Centering Ring Replacement

KF Flange Size	IDEAL VACUUM P/N	Price*
KF10	P103645	\$ .99
KF16	P103647	\$1.55
KF25	P103648	\$2.55
KF40	P103649	\$3.10
KF50	P103650	\$3.99

### Viton Rubber KF Centering Ring Replacement

KF Flange Size	IDEAL VACUUM P/N	Price*
KF10	P102322	\$2.10
KF16	P101249	\$2.75
KF25	P101250	\$3.40
KF40	P101219	\$4.10
KF50	P101251	\$5.25

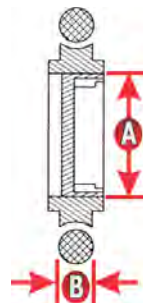


### Red Silicone Rubber KF Centering Ring Replacement

KF Flange Size	IDEAL VACUUM P/N	Price*
KF10	P103651	\$ .99
KF16	P103652	\$1.65
KF25	P103653	\$2.45
KF40	P103654	\$2.99
KF50	P103655	\$4.25

### Stainless Steel with Viton Rubber Ring KF Centering Ring w/ Screen

KF Flange Size	A	B	IDEAL VACUUM P/N	Price*
KF16	0.3125"	0.2125"	P102536	\$25.45
KF25	0.500"	0.2125"	P102537	\$29.00
KF40	0.865"	0.2125"	P102538	\$33.60
KF50	1.450"	0.2125"	P102539	\$37.10



*Sold as  
ONE EACH*

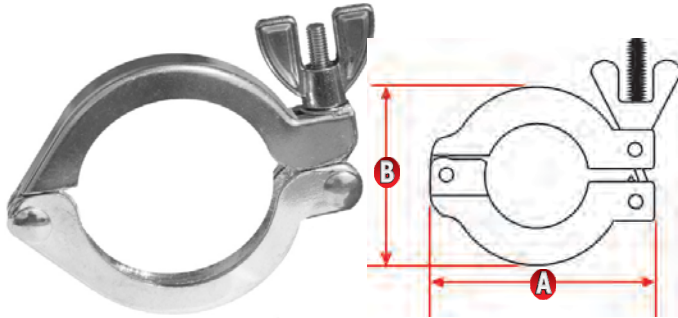


# Vacuum Fittings - Adapters 2

## - Fittings - **KF** (Quick Flange)

### ALUMINUM

## KF Hinge Clamp Wing Nut

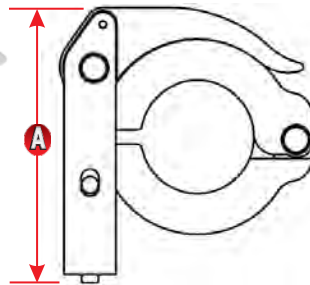
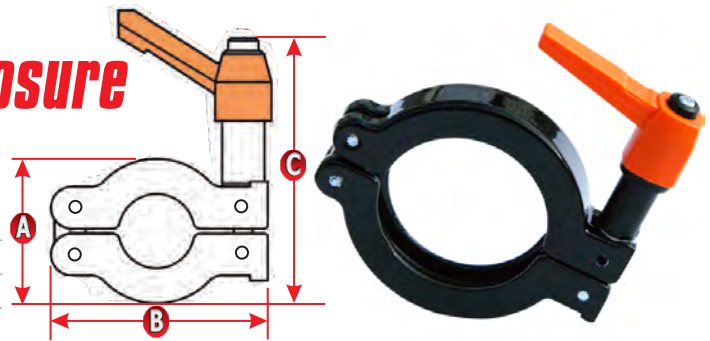


KF Flange Size	A	B	IDEAL VACUUM P/N	Price*
KF10/KF16	2.25"	1.69"	P101198	\$5.60
KF25	2.75"	2.17"	P101199	\$7.75
KF40	3.39"	2.75"	P101200	\$8.85
KF50	4.33"	3.75"	P101201	\$14.95

### ALUMINUM with Black Finish

## KF Quick Clamp w/ Ratchet Closure

KF Flange Size	A	B	C	IDEAL VACUUM P/N	Price*
KF10/KF16	1.68"	2.52"	3.09"	P102581	\$20.23
KF25	2.07"	2.92"	3.29"	P102582	\$16.50
KF40	2.67"	3.51"	3.59"	P102583	\$23.81
KF50	3.52"	4.30"	4.00"	P102584	\$26.19



### ALUMINUM with Cotter Pin

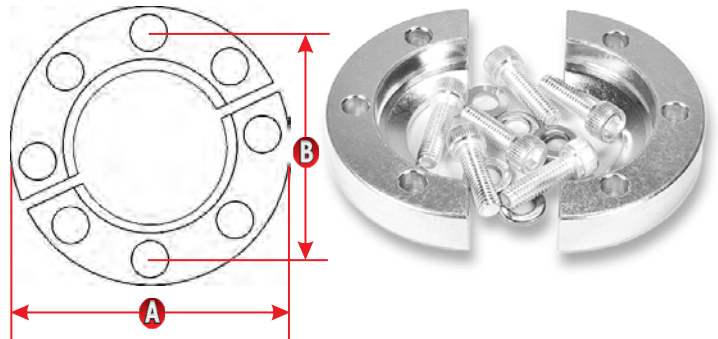
## KF Toggle Clamp

KF Flange Size	A	IDEAL VACUUM P/N	Price*
KF10/KF16	2.50"	P101638	\$13.25
KF25	2.96"	P101639	\$15.45
KF40	3.29"	P101640	\$16.60
KF50	4.73"	P101641	\$18.80

### ALUMINUM with Bolts & Nuts

## KF Bulkhead Clamp

KF Flange Size	A	B	IDEAL VACUUM P/N	Price*
KF10/KF16	2.00"	1.50"	P104598	\$32.00
KF25	2.38"	1.90"	P104599	\$35.00
KF40	2.94"	2.44"	P104600	\$38.00
KF50	3.75"	3.25"	P104601	\$42.00



\* Catalog Pricing  
Subject to Change

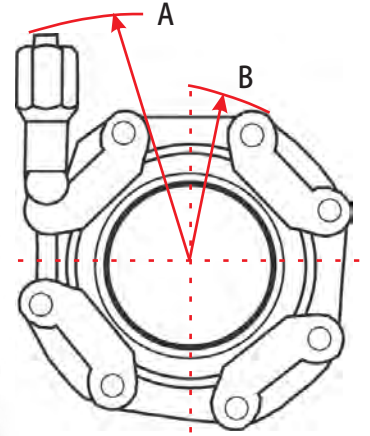


## 2 Vacuum Fittings - Adapters

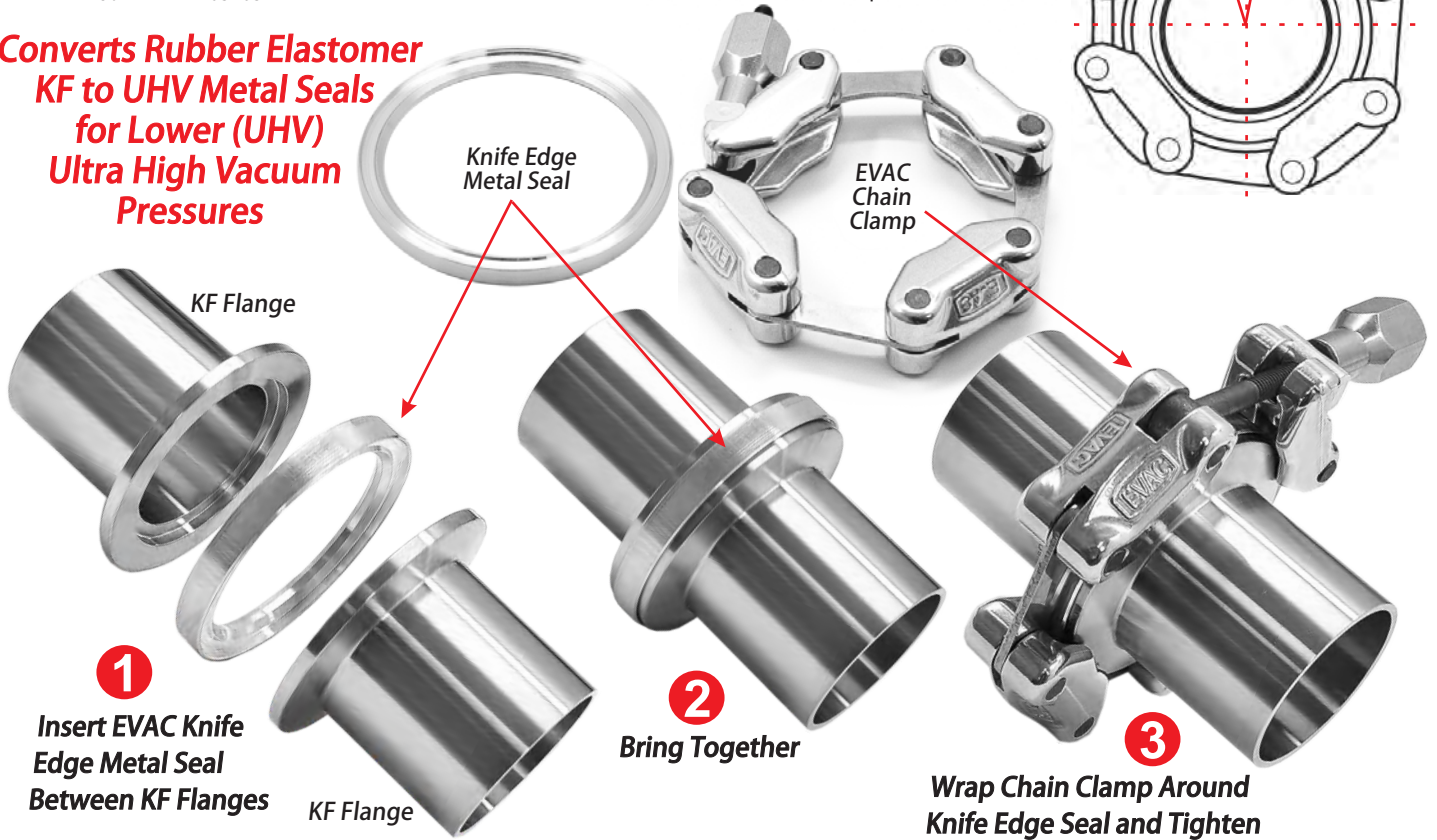
### KF (Quick Flange) - Fittings -

## KF EVAC Knife Edge Metal Seal and Chain Clamp ALUMINUM

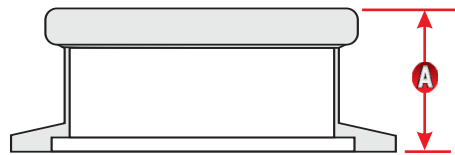
KF Flange Size	Metal Seal IDEAL VACUUM P/N	Price*	Chain Clamp IDEAL VACUUM P/N	A	B	Torque (lb. in.)	Price*
KF10/KF16	P103400	\$38.95	P103396	4.53"	2.36"	22	\$84.95
KF25	P103401	\$46.95	P103397	4.92"	2.76"	26	\$94.95
KF40	P103402	\$56.95	P103398	5.32"	3.35"	39	\$109.95
KF50	P103403	\$69.88	P103399	5.98"	4.13"	44	\$135.95



**Converts Rubber Elastomer  
KF to UHV Metal Seals  
for Lower (UHV)  
Ultra High Vacuum  
Pressures**



### Stainless Steel KF View Port



(Max. Temp 150°C, Optical Quality Borosilicate Glass)

KF Flange Size	A	IDEAL VACUUM P/N	Price*
KF40	1"	P101636	\$215.25
KF50	1.25"	P101637	\$247.80

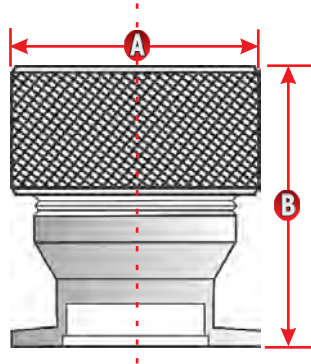


\* Catalog Pricing  
Subject to Change



# Vacuum Fittings - Adapters 2

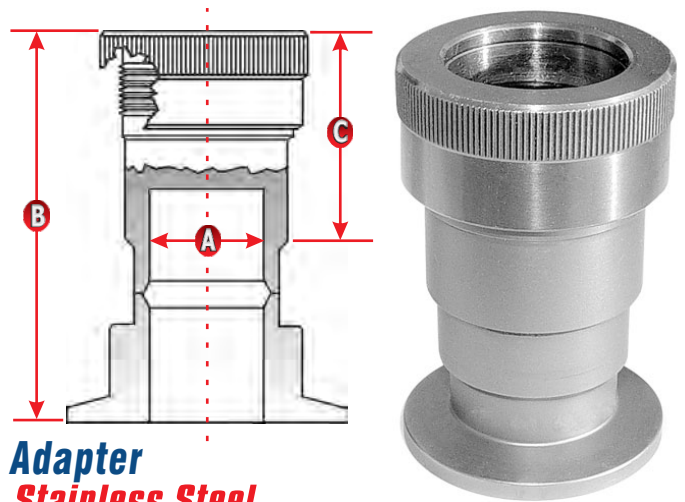
## - Adapters - **KF** (Quick Flange)



**Adapter**  
**Stainless Steel**  
**KF to Compression Port**

**LOW PROFILE**

KF Flange Size	Port I.D.	A	B	IDEAL VACUUM P/N	Price*
KF16	to 1/2"	1.35"	1.50"	P103919	\$143.25
KF16	to 3/4"	1.68"	1.81"	P103920	\$70.35
KF25	to 1/2"	2.00"	1.50"	P103773	\$67.20
KF25	to 5/8"	1-15/16"	1-5/8"	P103771	\$77.80
KF25	to 3/4"	1-9/16"	1-3/16"	P103770	\$71.40
KF25	to 1"	2.00"	2.00"	P103772	\$146.00
KF25	to 1-1/8"	2.00"	2.00"	P103769	\$120.00
KF40	to 1/2"	1.37"	1.50"	P103774	\$72.45
KF40	to 3/4"	1.62"	1.81"	P103775	\$75.60
KF40	to 1"	1.81"	2.00"	P103776	\$87.15
KF40	to 1-1/8"	2.00"	2.00"	P103777	\$115.50
KF40	to 1-1/4"	2.12"	2.00"	P103922	\$125.00
KF40	to 1-3/8"	2.12"	2.00"	P104168	\$135.00
KF40	to 1-1/2"	2.37"	2.37"	P103921	\$145.00
KF50	to 1/2"	1.38"	1.5"	P103778	\$87.15
KF50	to 3/4"	1.63"	1.81"	P103779	\$87.15
KF50	to 1.00"	1.88"	2.00"	P103780	\$97.65
KF50	to 1-1/8"	2.00"	2.00"	P103781	\$127.05
KF50	to 1-1/2"	2.38"	2.38"	P103782	\$139.50
KF50	to 2.00"	2.88"	2.40"	P103783	\$165.00

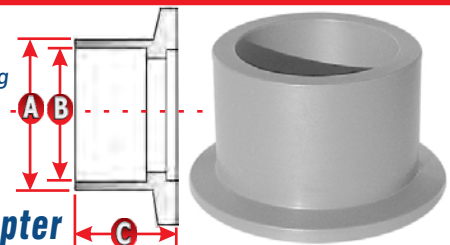


**Adapter**  
**Stainless Steel**  
**KF to Compression Port**

KF Flange Size	Port I.D.	A	B	C	IDEAL VACUUM P/N	Price*
KF16	to 3/4"	0.62"	2.40"	0.94"	P101317	\$143.25
KF25	to 1/2"	0.41"	2.40"	0.80"	P101318	\$125.00
KF25	to 3/4"	0.62"	2.50"	0.94"	P101319	\$165.00
KF25	to 1.00"	0.88"	2.4"	0.94"	P101320	\$197.75
KF40	to 1/2"	0.41"	2.6"	0.80"	P101322	\$146.00
KF40	to 3/4"	0.62"	2.8"	0.94"	P101323	\$153.00
KF40	to 1.00"	0.88"	2.8"	0.94"	P101324	\$200.00
KF40	to 1-1/8"	1.50"	2.90"	1.94"	P101325	\$202.00
KF50	to 3/4"	0.62"	2.8"	0.94"	P101326	\$159.00
KF50	to 1"	0.88"	2.8"	0.94"	P101327	\$209.00
KF50	to 1-1/8"	1.14"	2.90"	0.94"	P101328	\$185.75

Made of Schedule 80 Polyvinyl Chloride  
Requires Cement for Bonding

**KF to PVC Tubing Adapter**

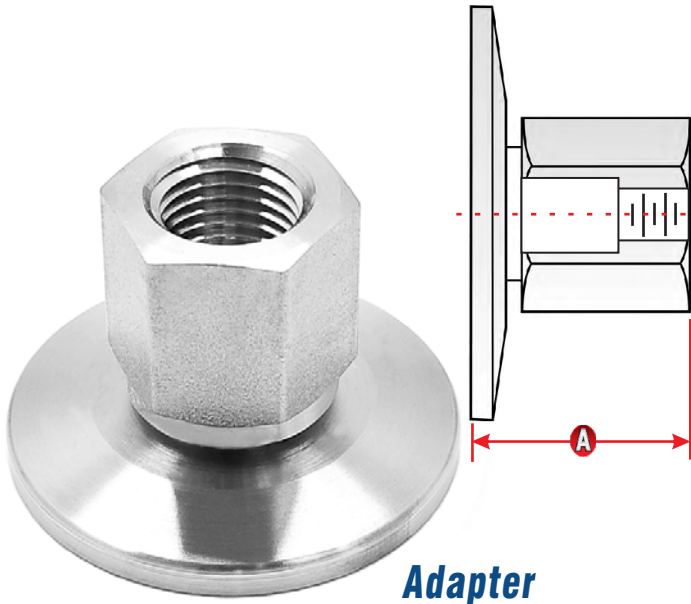


KF to PVC Plastic Tubing	A	B	C	IDEAL VACUUM P/N	Price*
KF16 to 3/4" tubing	1.31"	1.05"	1.75"	P101385	\$11.00
KF25 to 3/4" tubing	1.20"	1.06"	1.17"	P101386	\$12.00
KF40 to 1" tubing	1.70"	1.32"	1.21"	P101387	\$16.00
KF50 to 1-1/2" tubing	2.20"	1.91"	1.23"	P101388	\$23.00

\* Catalog Pricing  
Subject to Change

## 2 Vacuum Fittings - Adapters

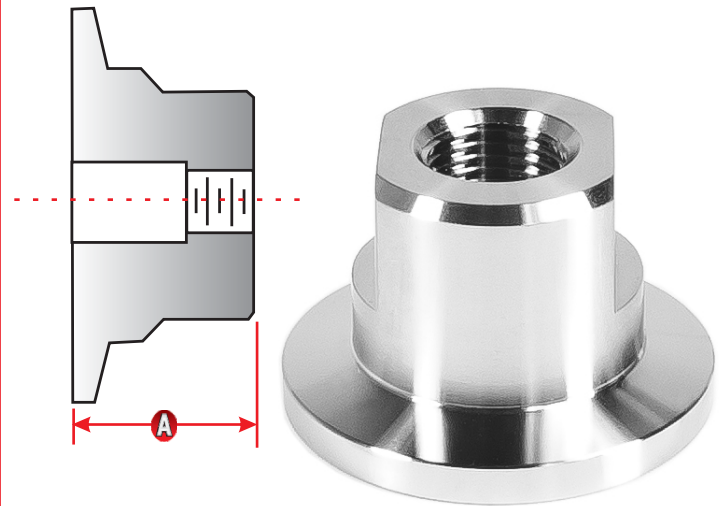
### KF (Quick Flange) - Adapters -



**Adapter**

### Hex Head Grip Tight / Stainless Steel KF To NPT Female Pipe Adapter

KF Flange Size	NPT Female Size	A	IDEAL VACUUM P/N	Price*
KF10	1/8"	0.92"	P103071	\$49.50
KF10	1/4"	1.07"	P103072	\$56.25
KF16	1/8"	0.92"	P103073	\$49.50
KF16	1/2"	1.44"	P103070	\$61.95
KF25	1/8"	0.92"	P103074	\$55.90
KF25	1/4"	0.92"	P103075	\$59.00
KF25	1/2"	1.39"	P103076	\$65.40
KF25	3/4"	1.45"	P103105	\$73.96
KF25	1.00"	1.57"	P103104	\$125.00
KF40	1/8"	0.92"	P103106	\$59.65
KF40	1/4"	1.07"	P103081	\$64.95
KF40	1/2"	1.39"	P103082	\$66.95
KF40	3/4"	1.45"	P103108	\$75.96
KF40	1.00"	1.57"	P103107	\$132.50
KF50	1/8"	0.92"	P103078	\$61.25
KF50	1/4"	1.07"	P103077	\$66.95
KF50	1/2"	1.39"	P103079	\$72.95
KF50	3/4"	1.45"	P103080	\$125.00
KF50	1.00"	1.57"	P103109	\$144.00

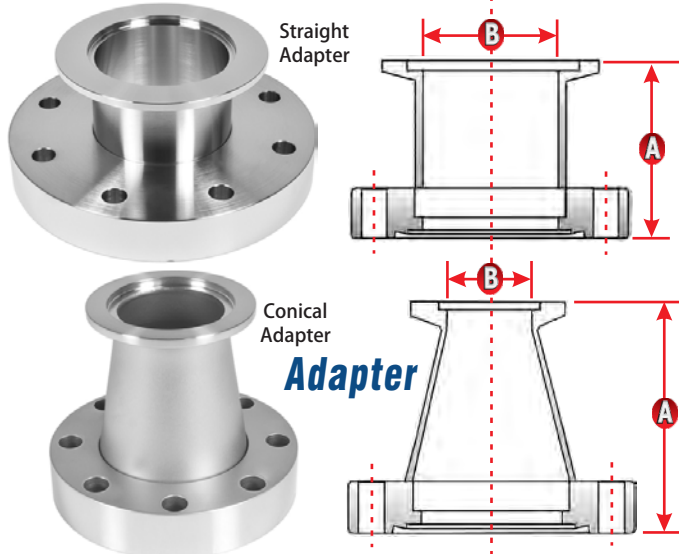


### Machined / Stainless Steel Adapter KF To NPT Female Pipe Adapter

KF Flange Size	NPT Female Size	A	IDEAL VACUUM P/N	Price*
KF10	1/8"	0.75"	P103744	\$17.55
KF10	1/4"	0.75"	P103743	\$17.55
KF16	1/8"	0.75"	P101315	\$17.55
KF16	1/4"	0.75"	P101308	\$18.50
KF25	1/8"	0.75"	P101309	\$21.00
KF25	1/4"	0.75"	P101310	\$21.95
KF40	1/8"	1.00"	P101311	\$29.55
KF40	1/4"	1.00"	P101312	\$31.00
KF40	1/2"	1.00"	P103745	\$66.95
KF40	3/4"	1.00"	P103746	\$75.96
KF50	1/8"	1.00"	P101313	\$38.65
KF50	1/4"	1.00"	P101314	\$40.55
KF50	1/2"	1.00"	P103747	\$72.95

# Vacuum Fittings - Adapters 2

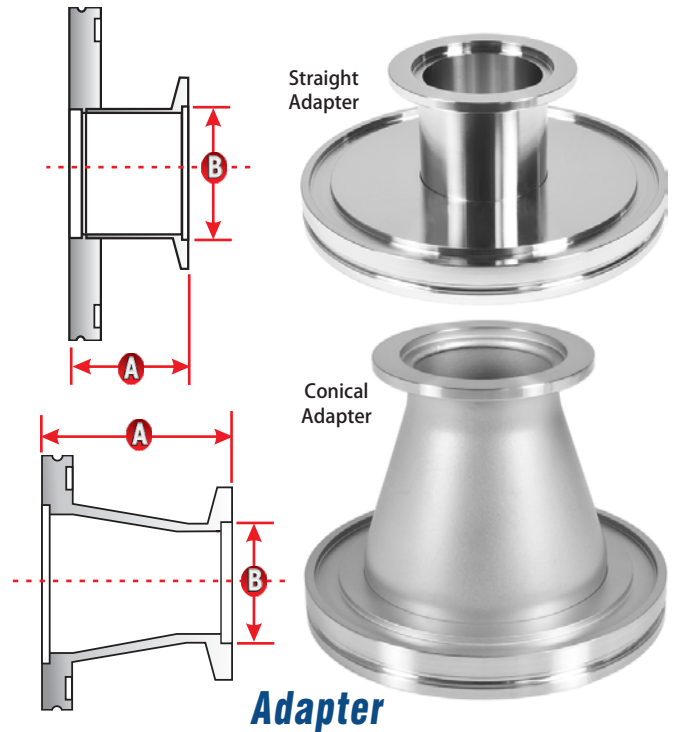
## - Adapters - KF (Quick Flange)



### KF To CF Conflat Adapter / Stainless Steel

KF to CF Size	Adapter Type	A	B	IDEAL VACUUM P/N	Price*
KF16 to CF 1-1/3	STRAIGHT	2.08"	0.62"	P101286	\$60.90
KF16 to CF 2-1/8	CONICAL	1.69"	0.87"	P103814	\$67.25
KF16 to CF 2-3/4	STRAIGHT	2.08"	0.62"	P101290	\$64.05
KF16 to CF 2-3/4	CONICAL	2.75"	0.62"	P103815	\$76.44
KF25 to CF 1-1/3	CONICAL	1.70"	0.87"	P103816	\$78.80
KF25 to CF 2-1/8	STRAIGHT	1.81"	0.95"	P103765	\$78.95
KF25 to CF 2-3/4	STRAIGHT	1.37"	0.87"	P101287	\$68.25
KF25 to CF 2-3/4	CONICAL	2.75"	0.82"	P103817	\$91.35
KF25 to CF 3-1/3	CONICAL	2.75"	1.39"	P103818	\$107.52
KF40 to CF 1-1/3	CONICAL	2.50"	1.39"	P103819	\$82.40
KF40 to CF 2-1/8	CONICAL	2.50"	1.39"	P103820	\$95.96
KF40 to CF 2-3/4	STRAIGHT	1.78"	1.33"	P101288	\$77.70
KF40 to CF 3-1/3	STRAIGHT	1.18"	1.38"	P103766	\$135.75
KF40 to CF 3-1/3	CONICAL	2.50"	1.39"	P103821	\$130.48
KF40 to CF 4-1/2	CONICAL	2.93"	1.38"	P103822	\$168.07
KF40 to CF 4-5/8	CONICAL	4.12"	1.39"	P103823	\$211.11
KF50 to CF 1-1/3	STRAIGHT	2.00"	1.07"	P103790	\$69.70
KF50 to CF 2-1/8	CONICAL	2.68"	1.38"	P103824	\$86.31
KF50 to CF 2-3/4	STRAIGHT	1.78"	1.30"	P101966	\$95.55
KF50 to CF 2-3/4	CONICAL	2.68"	1.39"	P103825	\$109.65
KF50 to CF 3-1/3	STRAIGHT	1.58"	1.39"	P103764	\$144.50
KF50 to CF 4-1/2	STRAIGHT	1.95"	1.83"	P101289	\$154.35
KF50 to CF 4-1/2	CONICAL	2.92"	1.39"	P103826	\$180.49
KF50 to CF 4-5/8	CONICAL	4.12"	1.45"	P103827	\$231.32
KF50 to CF 6.00	CONICAL	4.25"	1.37"	P103976	\$251.64
KF50 to CF 8.00	STRAIGHT	1.95"	1.83"	P105217	\$420.70

\* Catalog Pricing  
Subject to Change



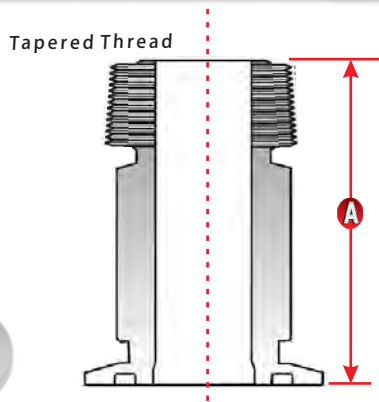
### KF To LF NW ISO Adapter / Stainless Steel

KF to LF NW ISO	Adapter Type	A	B	IDEAL VACUUM P/N	Price*
KF16 to ISO-LF NW63	STRAIGHT	1.77"	0.62"	P101361	\$146.05
KF25 to ISO-LF NW63	STRAIGHT	1.77"	1.00"	P101360	\$151.80
KF40 to ISO-LF NW63	STRAIGHT	1.77"	1.37"	P103767	\$137.40
KF40 to ISO-LF NW63	CONICAL	3.39"	1.37"	P101354	\$154.40
KF50 to ISO-LF NW63	STRAIGHT	1.77"	1.80"	P103768	\$148.85
KF50 to ISO-LF NW63	CONICAL	3.39"	1.87"	P101355	\$165.90
KF25 to ISO-LF NW80	STRAIGHT	1.77"	1.00"	P101362	\$196.75
KF40 to ISO-LF NW80	STRAIGHT	1.87"	1.37"	P104046	\$165.32
KF40 to ISO-LF NW80	CONICAL	4.54"	1.37"	P101363	\$181.70
KF50 to ISO-LF NW80	STRAIGHT	1.87"	1.87"	P104047	\$169.95
KF50 to ISO-LF NW80	CONICAL	4.67"	1.87"	P101364	\$193.20
KF25 to ISO-LF NW100	STRAIGHT	1.77"	0.62"	P101356	\$232.30
KF40 to ISO-LF NW100	STRAIGHT	1.77"	1.37"	P101365	\$238.05
KF50 to ISO-LF NW100	STRAIGHT	1.77"	1.35"	P103813	\$212.12
KF50 to ISO-LF NW100	CONICAL	4.64"	1.87"	P101357	\$215.30
KF40 to ISO-LF NW160	STRAIGHT	1.77"	1.37"	P101358	\$267.95
KF50 to ISO-LF NW160	STRAIGHT	1.77"	1.87"	P101359	\$221.50



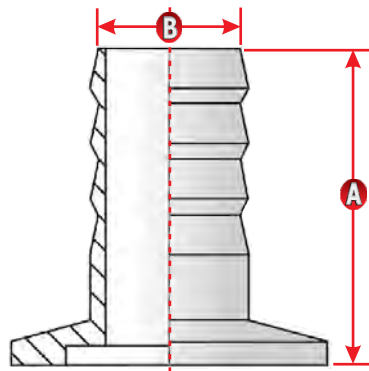
## 2 Vacuum Fittings - Adapters

### KF (Quick Flange) - Adapters -



### Stainless Steel Adapter KF To NPT Male Adapter

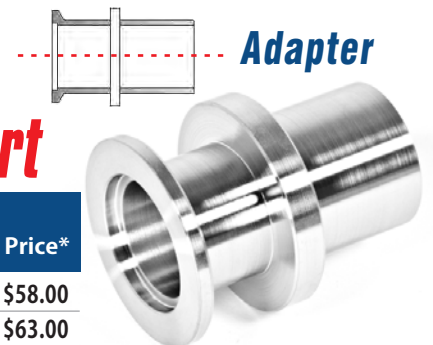
KF to NPT Male	A	IDEAL VACUUM P/N	Price*
KF10 to 1/8"	0.89"	P103069	\$55.90
KF10 to 1/4"	1.10"	P103066	\$55.90
KF16 to 1/8"	1.57"	P101366	\$47.15
KF16 to 1/4"	1.97"	P101367	\$50.00
KF16 to 1/4"	1.10"	P103068	\$56.25
KF16 to 1/2"	1.35"	P103067	\$61.95
KF25 to 1/8"	1.57"	P101368	\$48.55
KF25 to 1/4"	1.97"	P101369	\$58.32
KF25 to 1/2"	2.95"	P101972	\$57.75
KF25 to 3/4"	2.95"	P101606	\$80.85
KF25 to 1"	2.00"	P101605	\$99.99
KF40 to 1/8"	1.97"	P101370	\$68.00
KF40 to 1/4"	1.97"	P101371	\$53.55
KF40 to 1/2"	2.95"	P101971	\$64.05
KF40 to 3/4"	2.95"	P101970	\$85.05
KF40 to 1"	2.95"	P101969	\$105.00
KF40 to 1-1/4"	2.97"	P101607	\$115.50
KF40 to 1-1/2"	2.97"	P101604	\$126.00
KF40 to 2"	2.25"		\$131.25
KF50 to 1/8"	1.97"	P101372	\$51.50
KF50 to 1/4"	1.97"	P101373	\$59.85
KF50 to 1/2"	2.95"	P101968	\$68.25
KF50 to 3/4"	2.95"	P101967	\$93.45
KF50 to 1"	2.95"	P102535	\$110.25
KF50 to 2"	2.97"	P102336	\$131.25



### Adapter Aluminum or Stainless Steel KF To Rubber Hose Adapter

KF to Rubber Hose O.D.	Material Type	A	B	IDEAL VACUUM P/N	Price*
KF10 to 8mm or 1/4"	Stainless	1.56"	1/4"	P103748	\$28.95
KF10 to 12mm or 1/2"	Stainless	1.56"	1/2"	P103749	\$29.95
KF10 to 1/2" to 5/8"	Aluminum	1.17"	5/8"	P102325	\$19.95
KF16 to 12mm or 1/2"	Stainless	1.56"	1/2"	P103750	\$29.95
KF16 to 1/2" to 5/8"	Aluminum	1.65"	5/8"	P102323	\$19.95
KF16 to 5/8" to 3/4"	Aluminum	1.65"	3/4"	P101348	\$19.95
KF25 to 12mm or 1/2"	Stainless	1.57"	1/2"	P103751	\$29.95
KF25 to 1/2" to 5/8"	Aluminum	1.65"	5/8"	P102324	\$21.95
KF25 to 16mm or 5/8"	Stainless	1.57"	5/8"	P103752	\$29.95
KF25 to 3/4" to 7/8"	Aluminum	1.73"	7/8"	P101349	\$22.95
KF25 to 20mm or 13/16"	Stainless	1.57"	13/16"	P103754	\$34.99
KF40 to 12mm or 1/2"	Stainless	1.57"	1/2"	P103753	\$39.95
KF40 to 16mm or 5/8"	Stainless	1.57"	5/8"	P103755	\$39.95
KF40 to 20mm or 13/16"	Stainless	1.57"	13/16"	P103756	\$39.95
KF40 to 25mm or 1"	Stainless	1.57"	1.00"	P103757	\$42.25
KF40 to 1-1/2" to 1-5/8"	Aluminum	2.17"	1-5/8"	P101350	\$26.95
KF50 to 25mm or 1"	Stainless	1.57"	1.00"	P103758	\$47.99
KF50 to 1-1/2" to 1-5/8"	Aluminum	2.17"	1-5/8"	P101351	\$29.95

### Stainless Steel Adapter KF to Leak Detector Port



KF to O.D. Port	IDEAL VACUUM P/N	Price*
KF25 to 1-1/8"	P101353	\$58.00
KF40 to 1-1/8"	P101352	\$63.00

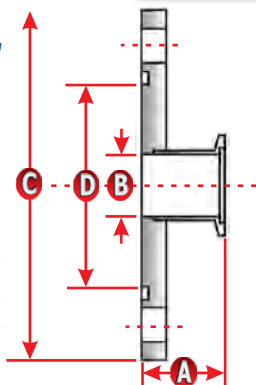


# Vacuum Fittings - Adapters 2

## - Adapters - KF (Quick Flange)



Adapter



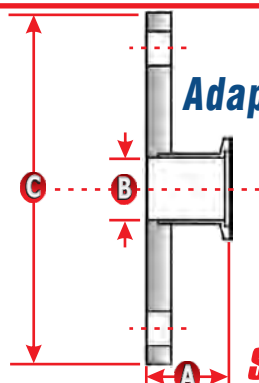
**Stainless Steel**

### KF to ASA with O-Ring Groove

KF Flange to ASA	A	B	C	D	IDEAL VACUUM P/N	Price*
KF40 to ASA 1.5"	1.81"	1.33"	5.00"	2.66"	P101297	\$149.10
KF40 to ASA 2.0"	1.81"	1.33"	6.00"	3.42"	P101298	\$203.70
KF40 to ASA 3.0"	1.81"	1.33"	7.50"	4.69"	P101299	\$247.80
KF50 to ASA 1.5"	1.81"	1.83"	5.00"	2.66"	P101300	\$160.65
KF50 to ASA 2.0"	1.81"	1.83"	6.00"	2.42"	P101301	\$220.50
KF50 to ASA 3.0"	1.81"	1.83"	7.50"	4.69"	P101302	\$264.60
KF50 to ASA 6.0"	1.81"	1.58"	11.00"	8.00"	P105220	\$644.90

### KF to ASA without O-Ring Groove

KF Flange to ASA	A	B	C	IDEAL VACUUM P/N	Price*
KF40 to ASA 1.5"	1.81"	1.33"	5.00"	P101291	\$127.05
KF40 to ASA 2.0"	1.81"	1.33"	6.00"	P101292	\$181.65
KF40 to ASA 3.0"	1.81"	1.33"	7.50"	P101293	\$225.75
KF50 to ASA 1.5"	1.81"	1.83"	5.00"	P101294	\$138.60
KF50 to ASA 2.0"	1.81"	1.83"	6.00"	P101295	\$198.45
KF50 to ASA 3.0"	1.81"	1.83"	7.50"	P101296	\$242.55



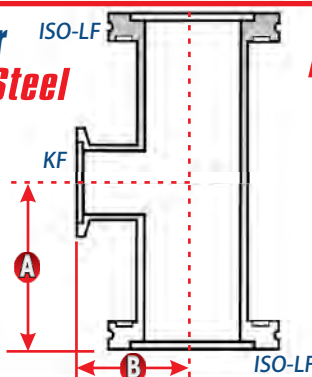
Adapter



**Stainless Steel**



Adapter  
Stainless Steel

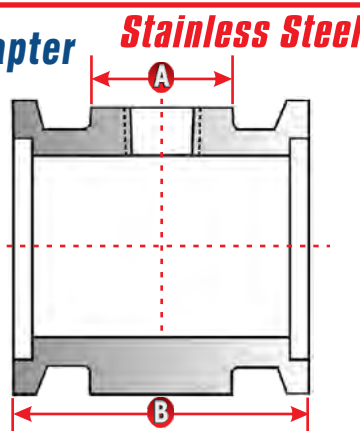


### Adaptive Reducing Tee ISO KF to LF

ISO LF to KF	A	B	IDEAL VACUUM P/N	Price*
ISO LF63 to KF 25	4.00"	3.09"	P103579	\$286.00
ISO LF63 to KF 40	3.25"	2.90"	P103734	\$245.00
ISO LF80 to KF 40	3.50"	3.15"	P103453	\$265.00
ISO LF100 to KF 25	5.12"	3.84"	P103452	\$385.00
ISO LF100 to KF 40	4.13"	3.65"	P103733	\$295.00
ISO LF160 to KF 40	5.38"	4.65"	P103454	\$365.00

### KF Tee to NPT Female Pipe Adapter

KF Flange to NPT Female	A	B	IDEAL VACUUM P/N	Price*
KF16 to NPT 1/8"	0.76"	1.57"	P101329	\$39.70
KF16 to NPT 1/4"	0.76"	1.57"	P101330	\$40.85
KF25 to NPT 1/8"	0.76"	1.57"	P101331	\$45.30
KF25 to NPT 1/4"	0.76"	1.57"	P101332	\$46.35
KF40 to NPT 1/8"	0.76"	1.57"	P101333	\$61.95
KF40 to NPT 1/4"	0.76"	1.57"	P101334	\$63.00
KF50 to NPT 1/8"	0.76"	1.57"	P101335	\$80.85
KF50 to NPT 1/4"	0.76"	1.57"	P101336	\$81.90



\* Catalog Pricing  
Subject to Change

## 2 Vacuum Fittings - Adapters

### KF (Quick Flange) - Adapters -



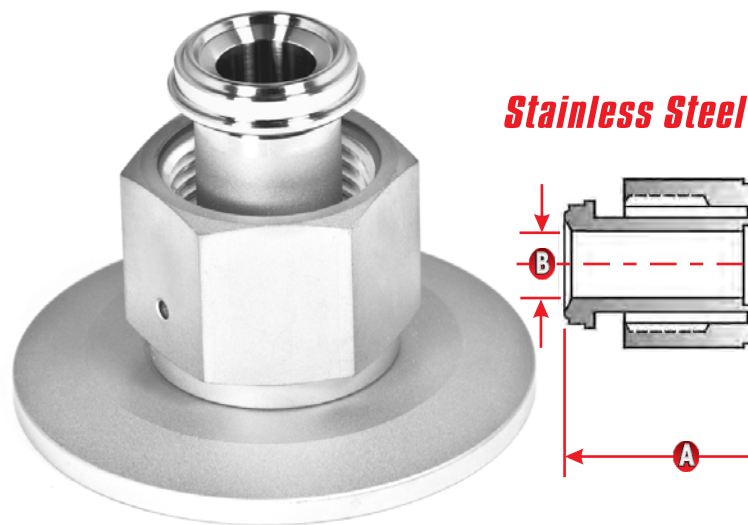
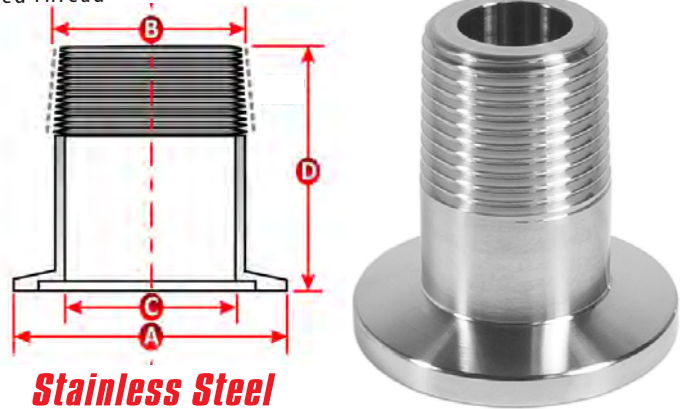
### KF to BSPP G (British Standard Pipe Parallel Straight Thread) Adapter

KF Flange to BSPP	A	B	C	D	IDEAL VACUUM P/N	Price*	
KF10 to 1/4" Male BSPP	1-3/16"	1/2"	3/8"	1-3/16"	P103759	\$26.95	
KF10 to 3/8" Male BSPP	1-3/16"	5/8"	3/8"	1-3/16"	P103834	\$26.99	
KF16 to 1/8" Male BSPP	<small>(Fits Pfeiffer Diaphragm Pumps inlet &amp; exhaust MVP 015-2, inlet only MVP 020-3AC, MVP 020-3DC)</small>					P103352	\$74.95
KF16 to 1/4" Male BSPP	<small>(Fits Pfeiffer Diaphragm Pumps inlet &amp; exhaust MVP 035-2, exhaust only MVP 055-3)</small>					P103353	\$84.95
KF16 to 3/8" Male BSPP	<small>(Fits any vacuum pump with a BSPP inlet or outlet connection, Black Color)</small>					P103355	\$69.95
KF16 to 1/2" Male BSPP	<small>(Fits any vacuum pump with a BSPP inlet or outlet connection, Black Color)</small>					P103252	\$79.95
KF16 to 1/2" Male BSPP	1-3/16"	13/16"	5/8"	1-3/16"	P103760	\$29.95	
KF25 to 3/4" Male BSPP	1-9/16"	1-1/16"	13/16"	1-3/16"	P103763	\$29.95	
KF25 to 1.00" Male BSPP	1-9/16"	1-1/4"	15/16"	1-3/16"	P103761	\$32.95	
KF40 to 1-1/4" Male BSPP	2-3/16"	1-15/16"	1-5/8"	1-3/16"	P103762	\$39.99	
KF40 to 1-1/2" Male BSPP	2-3/16"	1-3/8"	1-1/8"	1-3/16"	P103835	\$49.99	
KF50 to 2.00" Male BSPP	2-15/16"	2-3/8"	2.00"	1-3/8"	P104078	\$65.99	

### KF to BSPT (British Standard Pipe Tapered Thread) Adapter

KF Flange to BSPT	A	B	C	D	IDEAL VACUUM P/N	Price*
KF10 to 1/4" Male BSPT	1-3/16"	1/2"	3/8"	1-3/16"	P103841	\$25.99
KF10 to 3/8" Male BSPT	1-3/16"	11/16"	3/8"	1-3/16"	P103836	\$26.99
KF16 to 1/2" Male BSPT	1-3/16"	13/16"	7/16"	1-3/16"	P103837	\$29.99
KF25 to 3/4" Male BSPT	1-9/16"	1.00"	3/4"	1-3/16"	P103839	\$33.99
KF25 to 1.00" Male BSPT	1-9/16"	1-1/16"	15/16"	1-3/16"	P103838	\$35.99
KF40 to 1-1/4" Male BSPT	2-3/16"	1-5/8"	1-3/8"	1-3/16"	P104077	\$39.95
KF40 to 1-1/2" Male BSPT	2-1/8"	1-7/8"	1-5/8"	1-3/16"	P103840	\$49.95
KF50 to 2.00" Male BSPT	2-15/16"	2-3/8"	2.00"	2.00"	P104076	\$69.95

Tapered Thread



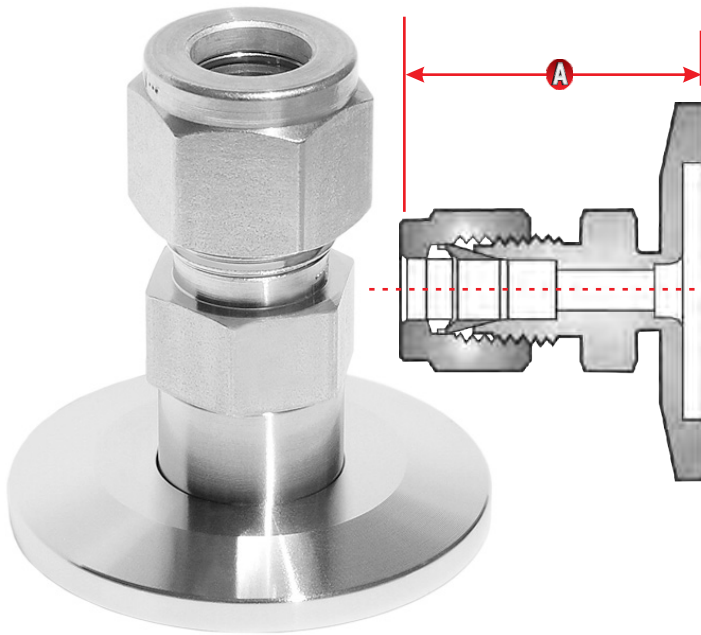
### KF to VCR Female Adapter

KF Flange to VCR Female	A	B	IDEAL VACUUM P/N	Price*
KF16 to 4 VCR(1/4")	1.40"	0.19"	P101337	\$55.65
KF16 to 8 VCR(1/2")	1.63"	0.41"	P101338	\$77.70
KF25 to 4 VCR(1/4")	1.40"	0.19"	P101339	\$60.90
KF25 to 8 VCR(1/2")	1.60"	0.41"	P101340	\$77.70
KF25 to 12 VCR(3/4")	2.14"	0.62"	P101341	\$121.80
KF40 to 4 VCR(1/4")	1.40"	0.19"	P101342	\$66.15
KF40 to 8 VCR(1/2")	1.60"	0.41"	P101343	\$82.95
KF40 to 12 VCR(3/4")	2.10"	0.62"	P101344	\$127.05
KF50 to 4 VCR(1/4")	1.40"	0.19"	P101345	\$66.15
KF50 to 8 VCR(1/2")	1.60"	0.41"	P101346	\$82.95
KF50 to 12 VCR(3/4")	2.10"	0.62"	P101347	\$132.30

# Vacuum Fittings - Adapters 2

## - Adapters - KF (Quick Flange)

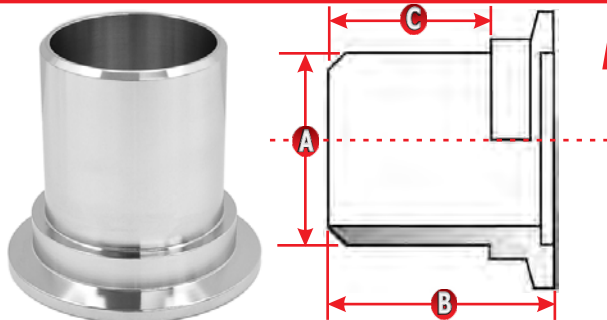
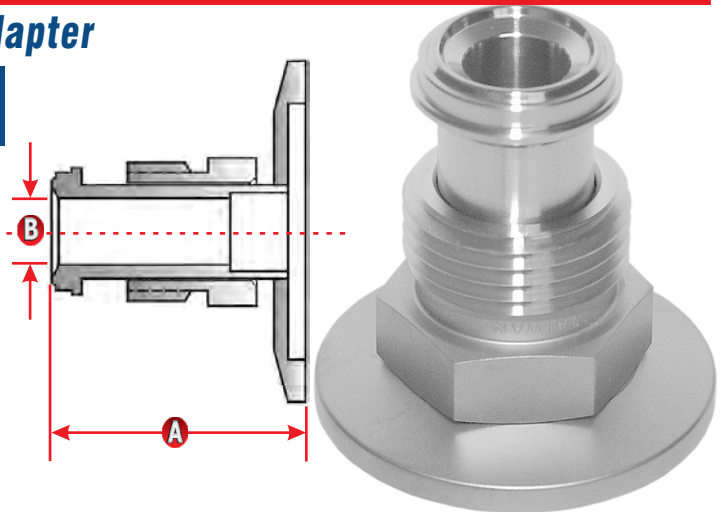
### Adapter **KF to Swagelok** stainless Steel



KF to Swagelok	A	Tube Size	IDEAL VACUUM P/N	Price*
KF10 to 1/4"	1.28"	1/4"	P105417	\$49.95
KF16 to 1/4"	1.28"	1/4"	P101608	\$64.26
KF16 to 3/8"	1.81"	3/8"	P102081	\$75.84
KF16 to 1/2"	1.81"	1/2"	P102086	\$81.69
KF25 to 1/4"	1.28"	1/4"	P101609	\$70.22
KF25 to 3/8"	1.28"	3/8"	P102082	\$81.67
KF25 to 1/2"	1.72"	1/2"	P101610	\$93.33
KF40 to 1/4"	1.28"	1/4"	P101611	\$76.17
KF40 to 3/8"	1.28"	3/8"	P102083	\$82.12
KF40 to 1/2"	1.65"	1/2"	P101612	\$99.19
KF40 to 3/4"	1.91"	3/4"	P101613	\$134.55
KF40 to 1"	2.33"	1.00"	P101614	\$221.95
KF50 to 1/4"	1.28"	1/4"	P101615	\$93.33
KF50 to 3/8"	1.28"	3/8"	P102084	\$99.18
KF50 to 1/2"	1.65"	1/2"	P101616	\$110.85
KF50 to 3/4"	1.91"	3/4"	P101617	\$105.01
KF50 to 1.00"	2.33"	1.00"	P101618	\$233.45

### KF to VCR Male stainless Steel Adapter

KF Flange to VCR Male	A	B	IDEAL VACUUM P/N	Price*
KF16 to 4 VCR(1/4")	1.40"	0.19"	P101374	\$55.65
KF16 to 8 VCR(1/2")	1.63"	0.41"	P101375	\$71.40
KF25 to 4 VCR(1/4")	1.40"	0.19"	P101376	\$60.90
KF25 to 8 VCR(1/2")	1.60"	0.41"	P101377	\$71.40
KF25 to 12 VCR(3/4")	2.14"	0.62"	P101378	\$105.00
KF40 to 4 VCR(1/4")	1.40"	0.19"	P101379	\$60.90
KF40 to 8 VCR(1/2")	1.60"	0.41"	P101380	\$77.70
KF40 to 12 VCR(3/4")	2.10"	0.62"	P101381	\$110.25
KF50 to 4 VCR(1/4")	1.40"	0.19"	P101382	\$66.15
KF50 to 8 VCR(1/2")	1.60"	0.41"	P101383	\$77.70
KF50 to 12 VCR(3/4")	2.10"	0.62"	P101384	\$115.50



### KF to PVC Hose stainless Steel Adapter

KF to PVC Hose	A	B	C	IDEAL VACUUM P/N	Price*
KF16 to 1/2" PVC	0.50"	1.26"	0.79"	P101393	\$21.45
KF16 to 3/4" PVC	0.75"	1.26"	0.79"	P101389	\$21.45
KF25 to 1.00" PVC	1.00"	1.50"	1.02"	P101390	\$27.45
KF40 to 1.50" PVC	1.50"	1.97"	1.50"	P101391	\$32.25
KF50 to 2.00" PVC	2.00"	2.17"	1.61"	P101392	\$41.70

\* Catalog Pricing  
Subject to Change



## 2 Vacuum Fittings - Adapters

### KF (Quick Flange) - Adapters -

### KF to PVC Hose Sur-Seal Adapter



KF to PVC Hose	A	B	C	IDEAL VACUUM P/N	Price*
KF16 to 1/8" ID PVC	0.125"	0.875"	0.37"	P105202	\$19.95
KF16 to 3/16" ID PVC	0.190"	1.00"	0.52"	P105204	\$20.09
KF16 to 1/4" ID PVC	0.250"	1.25"	0.77"	P105203	\$20.25
KF16 to 3/8" ID PVC	0.380"	1.50"	1.02"	P105205	\$20.50
KF16 to 1/2" ID PVC	0.500"	1.50"	1.02"	P105206	\$22.50
KF16 to 5/8" ID PVC	0.630"	1.50"	1.02"	P105194	\$24.40
KF16 to 3/4" ID PVC	0.750"	1.50"	1.02"	P105207	\$25.40
KF16 to 1" ID PVC	1.000"	1.50"	1.02"	P105208	\$26.40
KF25 to 1/8" ID PVC	0.125"	1.50"	1.02"	P105173	\$21.95
KF25 to 3/16" ID PVC	0.190"	1.50"	1.02"	P105172	\$22.90

KF to PVC Hose	A	B	C	IDEAL VACUUM P/N	Price*
KF25 to 1/4" ID PVC	0.250"	1.50"	1.02"	P105193	\$24.90
KF25 to 3/8" ID PVC	0.380"	1.50"	1.02"	P105171	\$23.65
KF25 to 1/2" ID PVC	0.500"	1.50"	1.02"	P105170	\$24.40
KF25 to 5/8" ID PVC	0.630"	1.50"	1.02"	P105167	\$24.40
KF25 to 3/4" ID PVC	0.750"	1.50"	1.02"	P105168	\$25.40
KF25 to 1" ID PVC	1.000"	1.50"	1.02"	P105169	\$26.40
KF25 to 1-1/8" ID PVC	1.125"	1.50"	1.02"	P105192	\$32.40
KF25 to 1-1/4" ID PVC	1.250"	1.50"	1.02"	P105191	\$33.40
KF25 to 1-1/2" ID PVC	1.500"	1.63"	1.02"	P105190	\$36.40

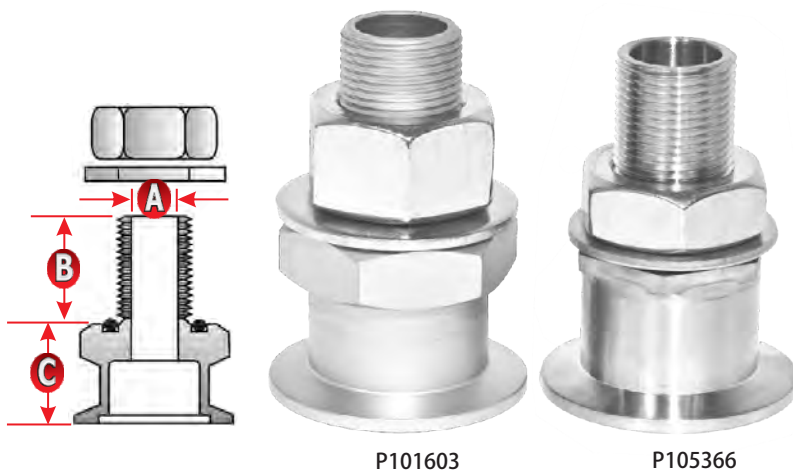
### Stainless Steel Adapter

## KF Feedthrough Baseplate

with Viton O-ring

Fits through 1 inch diameter ports on baseplates up to 1 inch thick

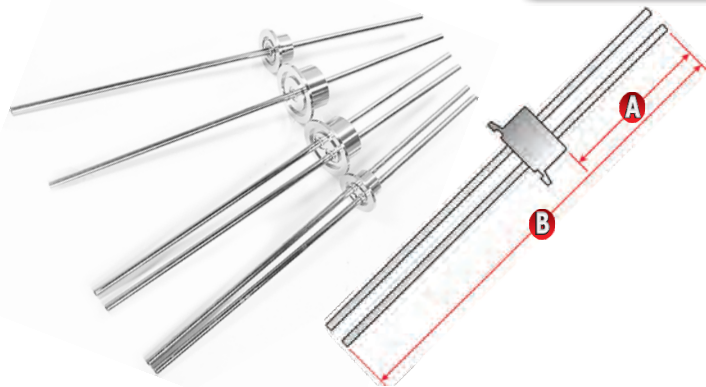
KF to Feedthrough Baseplate	A	B	C	IDEAL VACUUM P/N	Price*
KF25	0.75"	1.62"	1.26"	P101602	\$165.90
KF25	0.75"	1.62"	1.28"	P105367	\$234.00
KF40	0.75"	1.62"	1.50"	P101603	\$181.65
KF40	0.75"	1.62"	1.28"	P105366	\$253.50





# Vacuum Fittings - Adapters 2

## - Adapters - KF (Quick Flange)

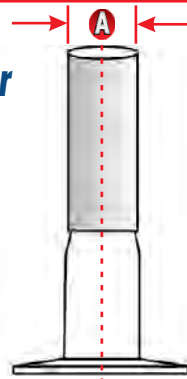


### Adapter KF to Feedthrough *Stainless Steel*

KF Flange to Feedthrough	Tube	Tube O.D.	A	B	IDEAL VACUUM P/N	Price*
KF25 to Feedthrough	Single	1/4"	9.10"	15.70"	P104210	\$135.00
KF25 to Feedthrough	Double	1/4"	9.10"	15.70"	P104211	\$195.00
KF40 to Feedthrough	Single	1/4"	9.10"	15.70"	P104212	\$185.00
KF40 to Feedthrough	Double	1/4"	9.10"	15.70"	P104213	\$225.00

### KF to Pyrex Glass *Stainless Steel* Adapter

KF to Pyrex Glass	A	IDEAL VACUUM P/N	Price*
KF16 to Pyrex	1/2"	P101973	\$60.90
KF16 to Pyrex	3/4"	P101974	\$65.10
KF25 to Pyrex	1.00"	P101975	\$71.40
KF40 to Pyrex	1-1/2"	P101976	\$79.80



For Edwards Vacuum Pumps E2M40 and E2M80 with nuts, bolts and washers

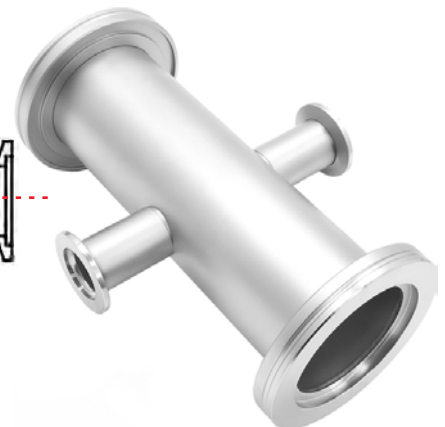
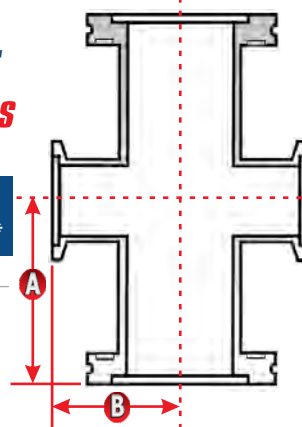
### Adapter KF to Edwards C Clamps *Stainless Steel*



KF Flange to C Clamp	Vacuum Pump Ports	IDEAL VACUUM P/N	Price*
KF10/16 to C Clamp	Inlet/Outlet Edwards Pumps	P102697	\$23.00
KF25 to C Clamp	Outlet Port Edwards E2M40/E2M80	P102698	\$29.95
KF40 to C Clamp	Inlet Port Edwards E2M40/E2M80	P102696	\$45.00

### KF to ISO NW LF Cross *Stainless Steel* Adapter

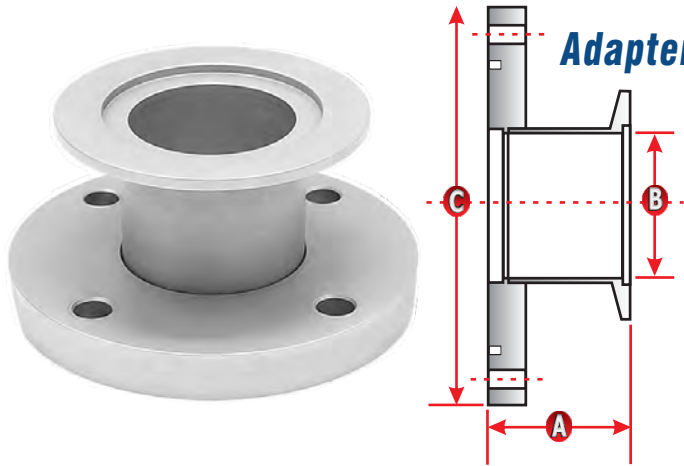
KF to ISO NW LF Cross	A	B	IDEAL VACUUM P/N	Price*
KF25 to ISO NW LF 63	4.00"	3.09"	P103578	\$356.50
KF25 to ISO NW LF 100	5.12"	3.84"	P103451	\$465.50



\* Catalog Pricing  
Subject to Change

## 2 Vacuum Fittings - Adapters

### KF (Quick Flange) - Adapters -



**Adapter**

For Edwards Dry Vacuum Pump Inlets - iQDP40, QDP40, DP40, iQDP80, QDP80, DP80

### KF to Edwards ISO-F 40/63 Inlets

KF to NW ISO-F	A	B	C	IDEAL VACUUM P/N	Price*
K40 to ISO 40-F	2.73"	1.57"	3.93"	P102699	\$435.00
K40 to ISO 63-F	2.67"	1.57"	5.11"	P102701	\$512.00
K50 to ISO 40-F	1.96"	1.61"	3.93"	P102700	\$400.00
K50 to ISO 63-F	1.96"	1.96"	5.11"	P102702	\$594.00

### Bolt Kit for ISO-F 40/63 Inlet Adapters

Bolt Kit and C Clamps for ISO-F 40/63/100	IDEAL VACUUM P/N	Price*
For iQDP40/80 Pumps - ISO-F 40/63 Bolts (4 in kit)	P102704	\$17.30
Claw Clamp for Edwards Manifolds on iQDP pumps ISO-F40/63/100 (1ea.)	P103427	\$21.50



(For Smooth ISO-F Bolt Holes)

(4 included)

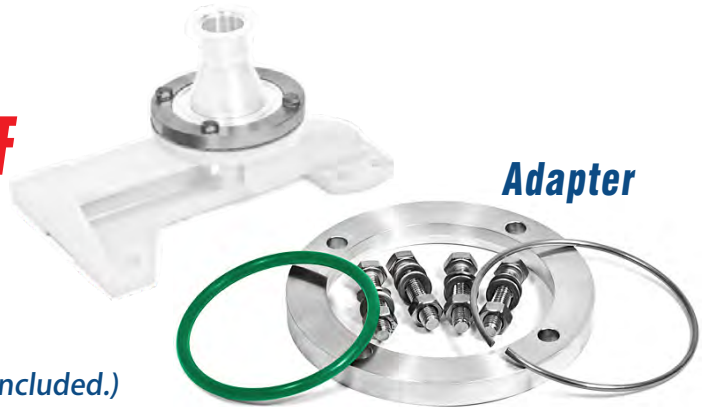
(1 each)

For Edwards Dry Vacuum Pump Inlet Manifold - iQD80 with ISO-F 63

### Bolt Intake Adapter Kit for ISO-F

ISO-F Intake Adapter Kit	IDEAL VACUUM P/N	Price*
For iQDP80 Pump with ISO-F 63	P104937	\$135.00

(Includes ring, o-ring and nuts & bolts. Manifold and conical reducer KF 40 to ISO 63 not included.)



**Adapter**



For Edwards Dry Vacuum Pump Inlet Manifolds - iQD80 with ISO-F 63 and iQDP40 ISO-F 40

### Intake O-Ring for ISO-F 40/63 Manifold

ISO-F O-Ring for ISO-F Manifold	IDEAL VACUUM P/N	Price*
For iQDP40 Pump with ISO-F 40	P103739	\$19.99
For iQDP80 Pump with ISO-F 63	P104938	\$39.99

(This is the O-Ring only)